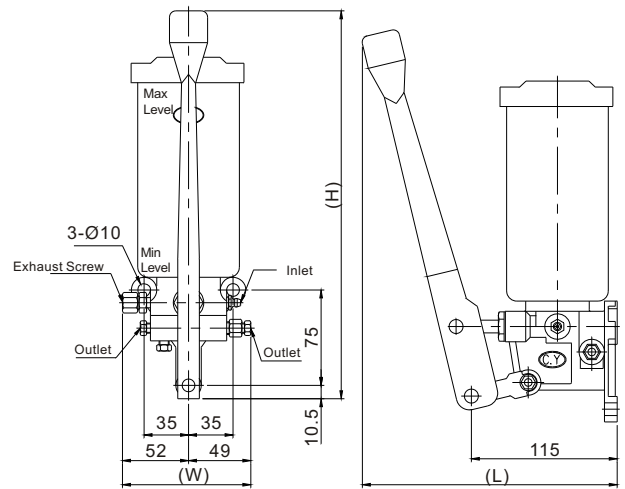




CLHA-35

CLHA-20



◆ Features

1. CLHA type has good tight pressing iron, which can press grease out smoothly.
2. Low cost, and high practicality.
3. Easy to be operated by pushing the handle down for oil feeding.
4. Small size and easy for installation.
5. CLHA type is suitable for grease NLGI grades 0 to 000, and CLHP type is suitable for grease NLGI grades 0 to 2.
6. Recommend using a grease gun for filling with lubricant from grease inlet. It can avoid air or impurities dropping into the reservoir.
7. Fill the lubricator with grease to exhaust air before the distributors are mounted.

◆ Application of Machines Equipment

1. It is suitable for the machinery that does not need to feed oil at certain time.
2. It usually works with press, woodworking or thermal treatment machinery.



The Piping of CLHA Type Grease Lubrication System

Model	Capacity Liters	Max Volume	Max Pressure	Discharge Bore	Viscosity	Fixed Hole Distance(mm)	Length (mm)	Width (mm)	Height (mm)	Weight (kg)
CLHA-10	300cc	2cc/stroke	100kgf/cm ²	Ø4 Ø6 Ø8 PT1/8	Grease NLGI grades 0 to 000	70	232	103	315	1.08
CLHA-20	600cc					70		103	315	1.14
CLHA-35	1000cc					70,75		106	345	2.20
CLHA-40	800cc					70		106	325	1.39
CLHA-50	2000cc					70,75		120	390	2.09

◆ Order Code :

CLH	A	20	R	D	1	✳
└──────────┘						
Grease Manual Lubricator	Tank Capacity	Outlet	Outlet Connector	Discharge Bore	Special Request	
	10 : 300cc	L : Left Hand Outlet	H : Elbow Adapter	0 : Ø4		
	20 : 600cc	R : Right Hand Outlet	D : Straight Adapter	1 : Ø6		
	35 : 1000cc	D : Dual Outlet	B : Block	2 : Ø4 (With Pressure Gauge)		
	40 : 800cc	T : Three Outlets		3 : Ø6 (With Pressure Gauge)		
	50 : 2000cc	F : Four Outlets		4 : Ø8		
				5 : Ø8 (With Pressure Gauge)		
				6 : PT1/8		
				7 : PT1/8 (With Pressure Gauge)		