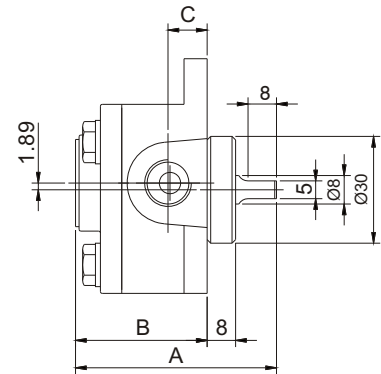
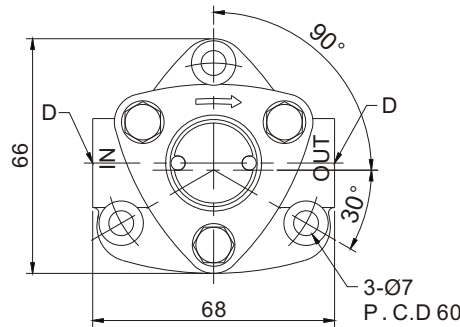


Rotary Oil Pump (Clockwise or Anti-clockwise)



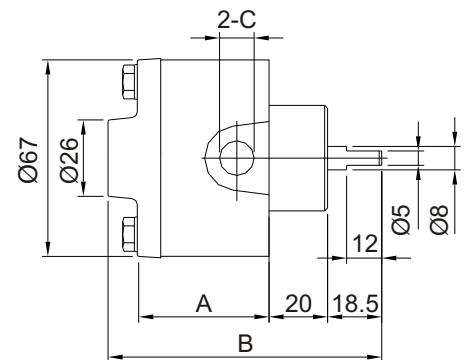
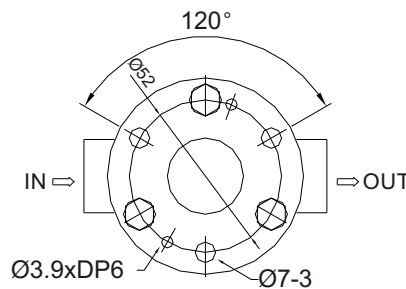
◆ Features

1. Single rotary oil pump is also called Triangular pump or oil circulation pump.
2. Recommend to assemble with 1/4 HP Horizontal Motor.
3. CYP-10A ~ 13A with different flow rate, the standard model is clockwise.
Please remark on order while request anti-clockwise one.
4. It can be added adjustable pressure valve CYP-AV as optional. The range of pressure adjustment is 2~5 kg/cm².
5. Special request on assembling with reservoir or cyclic inlet or motor with fan, etc. are available. Refer to Chen Ying Circulating Electric Lubricator series products.
6. The revolution is 1420~1720 rpm and 450~1200 rpm for choosing type of CYP-12L only.
7. It can be applied widely for lubricating or cooling in various machines.

Model	A	B	C	D
CYP-11A-1	56.5	37	11	PT1/8
CYP-11A-2				PT1/4
CYP-12A	62.5	43	11	PT1/4
CYP-12L	62.5	43	11	PT1/4
CYP-13A	77.5	58	13.5	PT3/8

Model	Dis. Volume(L/min)		Max Pressure	R.P.M
	1420rpm	1720rpm		
CYP-10A	1.0	1.2	5kgf/cm ²	1420~1720rpm
CYP-11A	1.8	2.2		
CYP-12A	3.0	3.7		
CYP-12L				1420~1720rpm
CYP-13A	5.5	6.7		

Reversible Pump (Clockwise and Anti-clockwise)



◆ Features

1. Reversible pump uses three pieces of M6*16L screw to make inlet and outlet be fixed. The rotating shaft can reverse clockwise or anti-clockwise during the operation of machine.
2. It is suitable for assembling with gear pump.
3. There are CYP-1FS~3FS available for different flow rate. The high revolution is 2,000 rpm.
4. Reversible pump is usually applied in Drilling Machines, Milling Machines, and CNC Lathes, etc.

Model	A	B	C
CYP-1FS	85	46	PT1/4
CYP-2FS	89	50	PT1/4
CYP-3FS	93	54	PT1/4

Model	Dis. Volume(L/min)		Max Pressure	R.P.M
	1420rpm	1720rpm		
CYP-1FS	1.74	2.08	5kgf/cm ²	2000rpm
CYP-2FS	2.7	3.24		
CYP-3FS	3.75	4.50		

※ In millimeter unless otherwise stated.