



FRL

AC, BC

AFC, BFC

AF, BF

AR, BR

AFR, BFR

AL, BL

JAC

JAF

JAR



JAW

JAL

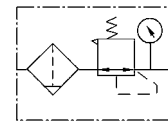
PTH

JAD

Ordering Code

	BFR	2000	D
Model			
AFR: Small		1500: G 1/8" 2000: G 1/4"	Blank: Semi-automatic D: Automatic
BFR: Medium		3000: G 3/8" 4000: G 1/2"	

Symbol

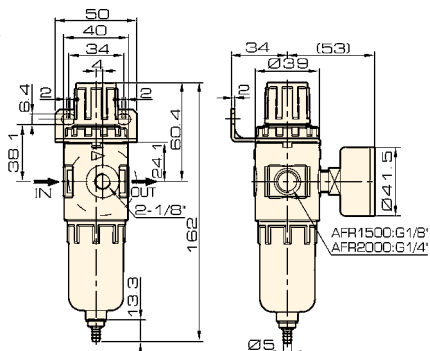


Specification

Model	AFR1500	AFR2000	BFR2000	BFR3000	BFR4000
Operating Fluid	Air				
Port Size	G 1/8"	G 1/4"	G 1/4"	G 3/8"	G 1/2"
Range of Adjustable Pressure	0.05 ~ 0.85 MPa				
Max. Adjustable Pressure	0.95 MPa				
Ensured Pressure Resistance	1.5 MPa				
Operating Temperature Range	5 ~ 60 °C				
Capacity of Filter Cup	15 cc		60 cc		
Weight	0.26 KG		0.4 KG		
Material	Body	Aluminum, Die-casting Forming			
	Container Cup	PC			
	Protective Cover	-	Iron		

Overall Dimension

AFR



BFR

