

AR, BR Series Regulator



The way to automation



BR (2000 ~ 4000)



AR2000



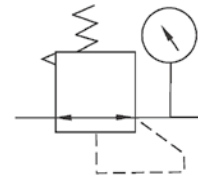
AR2000

- FRL
- AC, BC
- AFC, BFC
- AF, BF
- AR, BR
- AFR, BFR
- AL, BL
- JAC
- JAF
- JAR
- JAW
- JAL
- PTH
- JAD

Ordering Code

Model	Port Size
AR : Small	1500: G 1/8"
	2000: G 1/4"
	3000: G 3/8"
BR : Medium	4000: G 1/2"

Symbol

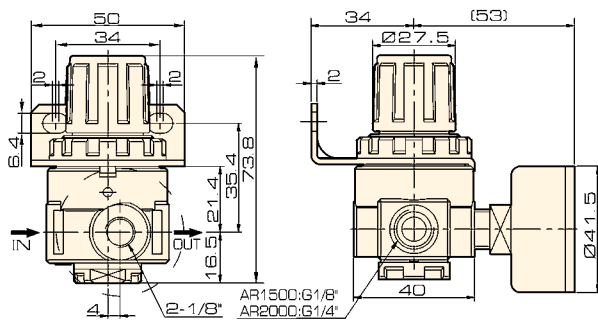


Specification

Model	AR1500	AR2000	BR2000	BR3000	BR4000
Operating Fluid	Air				
Port Size	G 1/8"	G 1/4"	G 1/4"	G 3/8"	G 1/2"
Range of Adjustable Pressure	0.05 ~ 0.85 MPa				
Max. Adjustable Pressure	0.95 MPa				
Ensured Pressure Resistance	1.5 MPa				
Operating Temperature Range	5 ~ 60 °C				
Weight	0.20 KG		0.23 KG		
Body Material	Aluminum, Die-casting Forming				

Overall Dimension

AR



BR

