

# DSN Series

## Stainless Steel Mini Cylinder (Conforms to ISO6432 Standard)



The way to automation

- Cylinder
- Sizing
- SI
- SI A.
- SC / SU
- SCT
- SC A.
- DSN**
- DSN A.
- MA
- MAL
- MA/MAL A.
- SDA
- CQ2
- CJ2
- CDU
- TN
- CXS
- MGP
- MSQ



### Ordering Code

DSN	U	20	x	50	25	LB	MT
Series	Series Code	Bore		Stroke	Adjustable Stroke	Mountings	Sensor
DSN: Double acting	Blank: Standard with eye mounting	16				Blank: Basic mountings	JEL-03 type
		20				LB: Front and back mounting	
DSNS: Single acting, sprung-in	CM: Round rear cover	25					Sensor fastening
		32				FA: Front mounting flange	
DSNT: Single acting, sprung-out	U: Flat rear cover	40				FB: Rear mounting flange	
						SDB: Rear hinge	
DSND: Double-shaft, double acting							
DSNJ: Double-shaft with adjustable stroke							

\*All DSN series cylinder are with sensor.

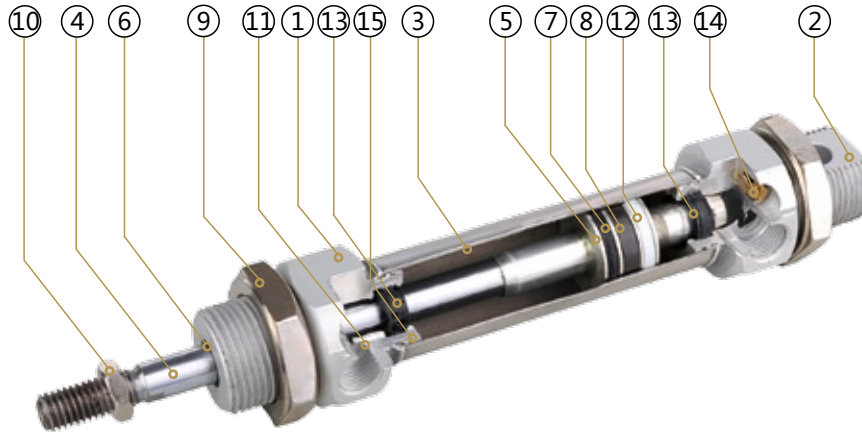
### Specification

Bore (mm)	12	16	20	25	32	40
Operation	Double Acting or Single Acting					
Working Medium	Air					
Mountings	Basic LB FA SDB					
Operating Voltage Range	1 ~ 9.0 Kg/cm <sup>2</sup>					
Proof Pressure	13.5 Kg/cm <sup>2</sup>					
Operating Temperature Range	0 ~ 70 °C					
Operating Speed Range	50 ~ 800 mm/s					
Cushion	Gasket Cushioning	Adjustable Cushioning				
Port Size	M5 x 0.8			G 1/8"		

### Stroke

Bore	Standard Stroke	Max. Stroke	Allowable Stroke
12	25 50 75 80 100 125 150 160 175 200	300	500
16	25 50 75 80 100 125 150 160 175 200	300	500
20	25 50 75 80 100 125 150 160 175 200 250 300	500	650
25	25 50 75 80 100 125 150 160 175 200 250 300 350 400 450 500	500	650
32	25 50 75 80 100 125 150 160 175 200 250 300 350 400 450 500	500	650
40	25 50 75 80 100 125 150 160 175 200 250 300 350 400 450 500	500	650

### Internal Structure



### Parts

Number	Name	Material	Quantity
1	Front Cover	Hard Anodised Aluminium	1
2	Back Cover	Hard Anodised Aluminium	1
3	Barrel	Stainless Steel	1
4	Piston Rod	Chromed Carbon Steel	1
5	Piston	Aluminium	1
6	Piston Rod Seal	NBR	1
7	Piston Seal	NBR	1
8	Magnet	Plastic	1
9	Front and Rear Cover	Carbon Steel	1
10	Piston Rod Screw	Carbon Steel	1
11	Bearing	Non-lub Bearing	1
12	Anti-friction Ring	PTFE	1
13	Cushioning Seal	NBR	2
14	Cushioning Adjusting Screw	Brass	2
15	Cover Seal	NBR	2

Cylinder  
Sizing  
SI  
SI A.  
SC / SU  
SCT  
SC A.  
DSN  
DSN A.  
MA  
MAL  
MA/ MAL A.  
SDA  
CQ2  
CJ2  
CDU  
TN  
CX5  
MGP  
MSQ

# DSN Series

## Stainless Steel Mini Cylinder (Conforms to ISO6432 Standard)

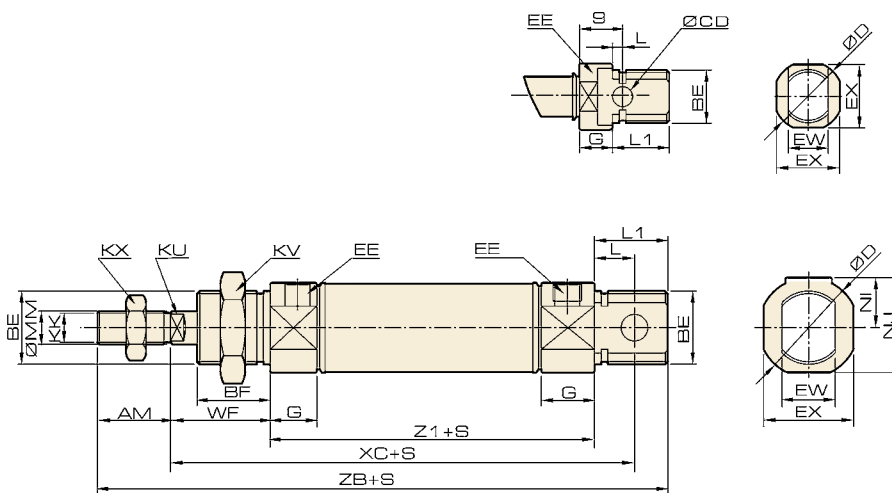


The way to automation

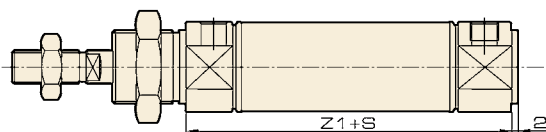
- Cylinder
- Sizing
- SI
- SI A.
- SC / SU
- SCT
- SC A.
- DSN**
- DSN A.
- MA
- MAL
- MA/MAL A.
- SDA
- CQ2
- CJ2
- CDU
- TN
- CXS
- MGP
- MSQ

### Overall Dimension

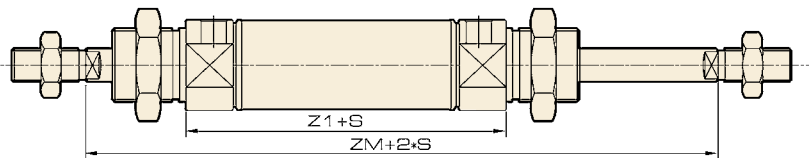
#### DSN



#### DSN-U



#### DSND



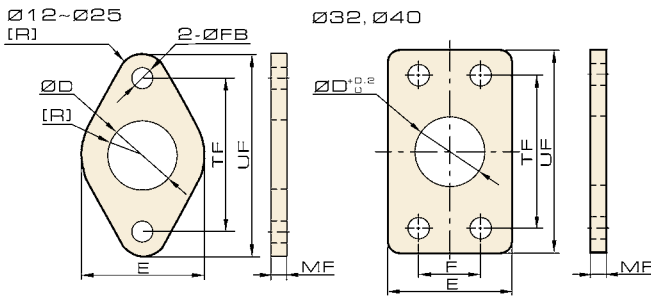
### Dimension

Bore Symbol	AM	BE	BF	CD	D	EE	EX	EW	G	KK	KU	KV	KX	L	L1	MM	NI	NJ	WF	XC	Z1	ZB	ZM
12	16	M16 x1.5	16	6	21	M5	19	12	10	M6 x1.0	5	24	12	4	16	6	-	-	22	75	51	105	95
16	16	M16 x1.5	16	6	21	M5	19	12	10	M6 x1.0	5	24	12	9	16	6	-	-	22	89	51	105	102
20	20	M22 x1.5	18	8	30	G1/8	27	16	15	M8 x1.25	7	27	14	12	22	8	15	28.5	24	95	59	125	107
25	22	M22 x1.5	20	8	30	G1/8	27	16	16	M10 x1.25	9	27	17	12	22	10	15	28.5	28	104	64	136	120
32	23	M27 x2.0	20	10	38	G1/8	35	20	16	M10 x1.25	10	35	17	15	27	12	19	36.5	28	115	72	150	128
40	23	M33 x2.0	20	10	45	G1/8	42	20	16	M14 x1.5	14	41	22	15	27	16	22.5	43.5	28	115	72	150	128

## FA, FB

### Overall Dimension

#### FA, FB



### Dimension

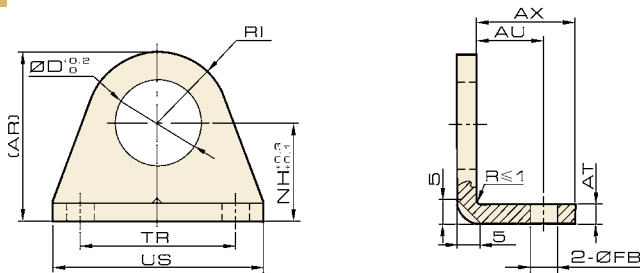
Bore/ Symbol	12	16	20	25	32	40
E	30	30	40	40	45	50
FB	6	6	7	7	7	9
MF	4	4	5	5	5	5
F	/	/	/	/	20	30
TF	40	40	50	50	60	80
UF	53	53	66	66	80	100
D	16.3	16.3	22.3	22.3	27.3	33.3

Cylinder  
Sizing  
SI  
SI A.  
SC / SU  
SCT  
SC A.  
DSN  
DSN A.  
MA  
MAL  
MA / MAL A.  
SDA  
CQ2  
CJ2  
CDU  
TN  
CXS  
MGP  
MSQ

## LB Foot

### Overall Dimension

#### LB



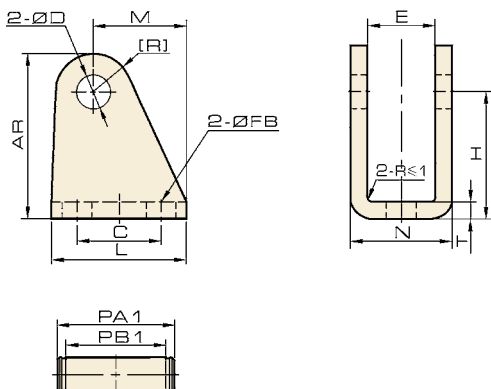
### Dimension

Bore/ Symbol	12	16	20	25	32	40
AT	4	4	5	5	5	5
AU	14	14	17	17	20	20
AX	20	20	25	25	30	30
FB	6	6	7	7	7	9
NH	20	20	25	25	35	40
TR	32	32	40	40	40	50
US	42	42	54	54	55	75
D	16.3	16.3	22.3	22.3	27.3	33.3
AR	32.5	32.5	42	42	56	64
RI	R12.5	R12.5	R17	R17	R21	R24

## SDB Rear Hinge

### Overall Dimension

#### SDB



### Dimension

Bore/ Symbol	12	16	20	25	32	40
C	15	15	20	15	25	25
FB	6	6	7	7	7	9
H	27	27	30	30	40	40
L	25	25	32	32	40	40
M	18	18	22	22	27.5	27.5
N	18	18	25	25	28	28
E	12	12	16	16	20	20
T	3	3	4	4	4	4
D	6	6	8	8	10	10
AR	34	34	39	39	52	52