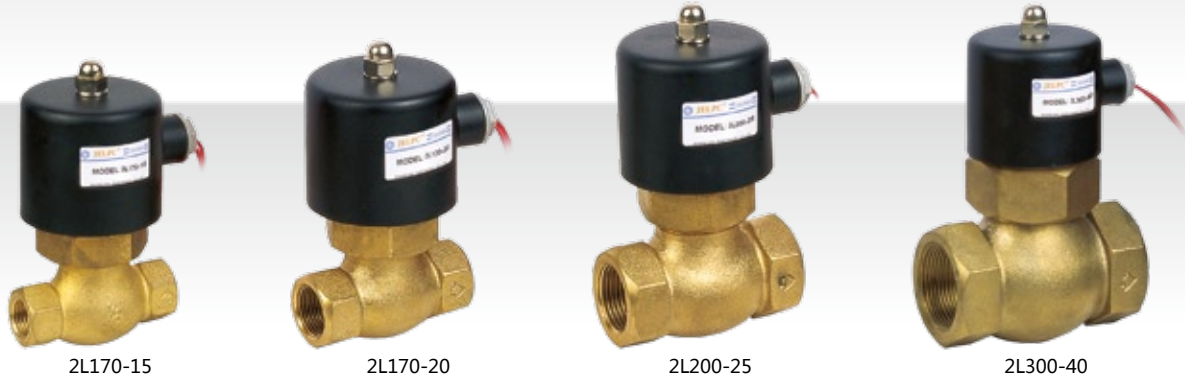


2L Series

2/2 Way Solenoid Valve



The way to automation



2L170-15

2L170-20

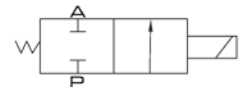
2L200-25

2L300-40

Ordering Code

2L	170	15	AC110V
Specification	Orifice Size	Port size	Standard Voltage
2L: 2/2 Way For Steam	170: 17 mm 200: 22 mm 300: 30 mm 500: 50 mm	10: 3/8" 15: 1/2" 20: 3/4" 25: 1" 35: 1 1/4" 40: 1 1/2" 50: 2"	DC12V DC24V AC24V 50 Hz/60 Hz AC110V 50 Hz/60 Hz AC220V 50 Hz/60 Hz AC380V 50 Hz/60 Hz

Symbol



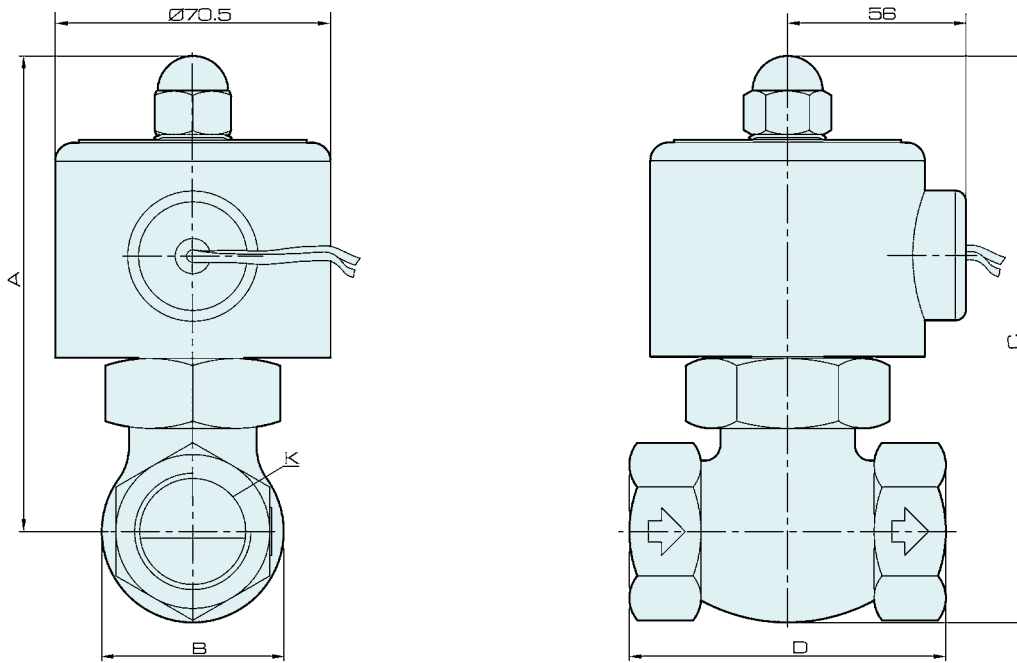
Specification

Model	2L170-10	2L170-15	2L170-20	2L200-25	2L300-35	2L300-40	2L500-50
Working Medium	Air, Water, Oil						
Operation	Direct						
Type	Normal Close						
Orifice	17 mm			22 mm	30 mm		50 mm
CV Value	4.8			12	20		48
Port Size	3/8"	1/2"	3/4"	1"	1 1/4"	1 1/2"	2"
Operation Fluid Viscosity	Below 20 CST						
Working-pressure	0.1 ~ 1.5 MPa						
Max. Test Pressure	2.25 MPa						
Max. Ambient Temperature	-5 ~ 180 °C						
Operating Voltage Tolerance	± 10%						
Material of Body	Brass						
Material of Oil Seal	PTFE						

- Valve
- 4V100
- 4V200
- 4V300
- 4V400
- Manifold
- 3V1
- JEL
- JZF
- MVSD
- VF, VZ
- BM, PU, AM
- Diaphragm
- Coil
- 2V
- 2W
- 2W(Big)
- 2P
- 2L**
- VX
- PU
- PU225
- 2Q
- JEL5404
- JEL6213
- Pulse
- JELJZF
- 4H
- TSV
- MPV
- 4HV
- HV, K
- 4R
- 4F
- MSV
- JM
- ASC, RE
- QE, QEA
- ST
- HSV

Overall Dimension

2L Series



Dimension

Model	A	B	C	D	K
2L170-10	125	42	146	82	G 3/8"
2L170-15	125	42	146	82	G 1/2"
2L170-20	125	42	146	82	G 3/4"
2L200-25	136	52	162	90.5	G 1"
2L300-35	148	74	185	111	G 1 1/4"
2L300-40	148	74	185	111	G 1 1/2"
2L500-50	176	86	223	163	G 2"

Valve

4V100

4V200

4V300

4V400

Manifold

3V1

JEL

JZF

MVSD

VF, VZ

BM, PU, AM

Diaphragm

Coil

2V

2W

2W(Big)

2P

2L

VX

PU

PU225

2Q

JEL5404

JEL6213

Pulse

JEL, JZF

4H

TSV86

MPV

4HV

HV, K

4R

4F

MSV

JM

ASC, RE

QE, QEA

ST

HSV