

CE  
ISO9001:2000

# 2W (Large Port) Series

## 2/2 Way Solenoid Valve (Direct Operated)



### Valve

4V100  
4V200  
4V300  
4V400  
Manifold  
3V1  
JEL  
JZF  
MVSD  
VF, VZ  
BM, PU, AM  
Diaphragm

Coil

2V

2W

2W(Big)

2P

2L

VX

PU

PU225

2Q

JEL5404

JEL6213

Pulse

JEL, JZF

4H

TSV86

MPV

4HV

HV, K

4R

4F

MSV

JM

ASC, RE

QE, QEA

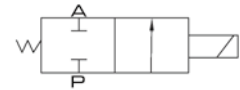
ST

HSV

### Ordering Code

2W	160	15	AC110V	V
Specification	Orifice size	Port size	Standard Voltage	Sealing
2W: 2/2 Way Solenoid Valve (Direct Operated)	160: 16 mm 200: 20 mm	10: 3/8" 15: 1/2"	DC12V DC24V AC24V 50Hz/60Hz	Blank : NBR V : VITON
2S: 2/2 Way Stainless Steel Solenoid Valve (Direct Operated)	250: 25 mm 350: 35 mm 400: 40 mm 500: 50 mm	20: 3/4" 25: 1" 35: 1 1/4" 40: 1 1/2" 50: 2"	AC110V 50Hz/60Hz AC220V 50Hz/60Hz AC380V 50Hz/60Hz	(for high temperature gas and vacuum )

### Symbol



### Specification

Model	2W160-10	2W160-15	2W200-20	2W250-25	2W350-35	2W400-40	2W500-50
	2S160-10	2S160-15	2S200-20	2S250-25	2S350-35	2S400-40	2S500-50
Working Medium	Air, Water, Oil						
Operation	Direct						
Type	Normal Close						
Orifice	16 mm		20 mm	25 mm	35 mm	40 mm	50 mm
CV Value	4.8		7.6	12	24	29	48
Port Size	3/8"	1/2"	3/4"	1"	1 1/4"	1 1/2"	2"
Operation Fluid Viscosity	Below 20 CST						
Working-pressure	Air 0 ~ 0.7 MPa; Water 0 ~ 0.5 MPa; Oil 0 ~ 0.5 MPa						
Max. Test Pressure	1.0 MPa						
Max. Ambient Temperature	-5 ~ 80 °C						
Operating Voltage Tolerance	± 10%						
Material of Body	2W: Brass 2S: Stainless Steel						
Material of Oil Seal	NBR, EPDM Or VITON						

# 2W Series

## 2/2 Way Solenoid Valve (Direct Operated)

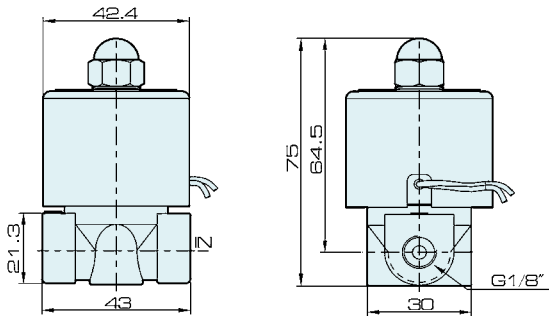


The way to automation

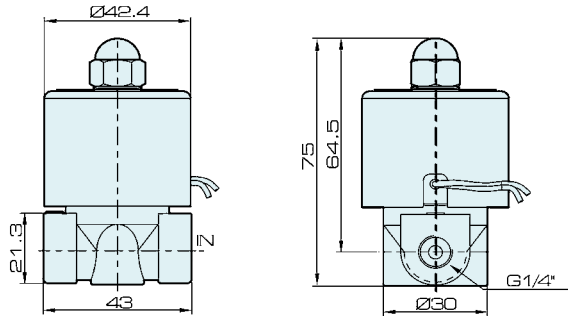
### Overall Dimension

- Valve
- 4V100
- 4V200
- 4V300
- 4V400
- Manifold
- 3V1
- JEL
- JZF
- MVSD
- VF, VZ
- BM, PU, AM
- Diaphragm
- Coil
- 2V
- 2W**
- 2W(Big)
- 2P
- 2L
- VX
- PU
- PU225
- 2Q
- JEL5404
- JEL6213
- Pulse
- JELJZF
- 4H
- TSV
- MPV
- 4HV
- HV, K
- 4R
- 4F
- MSV
- JM
- ASC, RE
- QE, QEA
- ST
- HSV

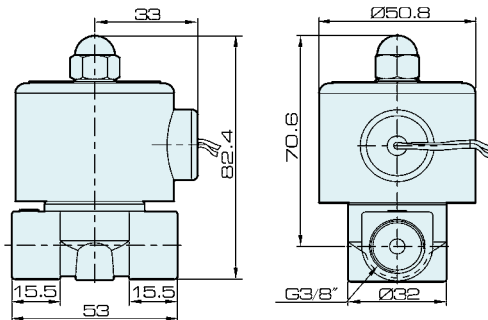
#### 2W025-06 & 2WH012-06



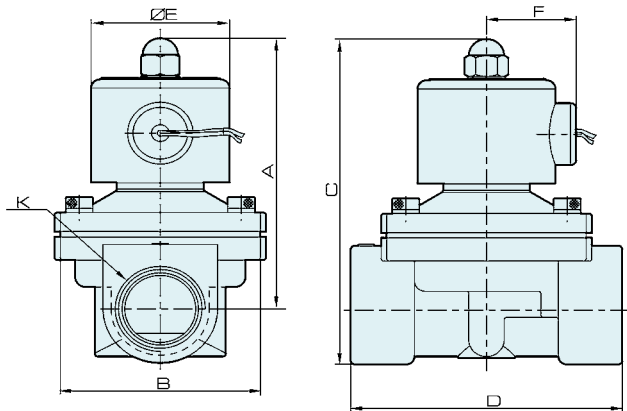
#### 2W025-08 & 2WH012-08



#### 2W040-10 & 2WH20-10



#### 2W Big Caliber



### Dimension

Model	A	B	C	D	E	F	K
2W160-10	101.5	57	117	69	50	36	G 3/8"
2W160-15	101.5	57	117	69	50	36	G 1/2"
2W200-20	107	57	123.5	73	50	36	G 3/4"
2W250-25	111.5	73.5	134.5	99	50	36	G 1"
2W350-35	142	95	172	123	70.5	56	G 1 1/4"
2W400-40	142	95	172	123	70.5	56	G 1 1/2"
2W500-50	172	123	209	168	70.5	56	G 2"