

JZF Series

3/2 Way Stop Solenoid Valve



The way to automation

- Valve
- 4V100
- 4V200
- 4V300
- 4V400
- Manifold
- 3V1
- JEL
- JZF
- MVSD
- VF, VZ
- BM, PU, AM
- Diaphragm
- Coil
- 2V
- 2W
- 2W(Big)
- 2P
- 2L
- VX
- PU
- PU225
- 2Q
- JEL5404
- JEL6213
- Pulse
- JELJZF
- 4H
- TSV
- MPV
- 4HV
- HV, K
- 4R
- 4F
- MSV
- JM
- ASC, RE
- QE, QEA
- ST
- HSV



3AJZF-15

3VJZF-25

Ordering Code

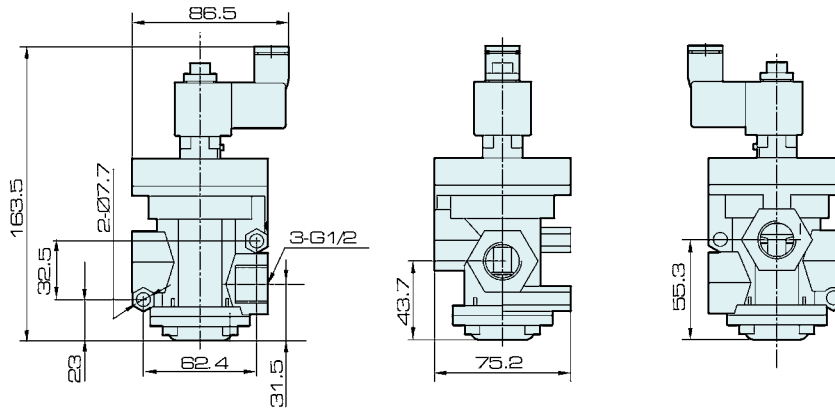
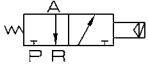
3V	JZF	15	AC110V	W
Specification	Stop Type	Port Size	Standard Voltage	Wiring
3V: 3/2 way solenoid valve 3A: 3/2 way air piloted valve	V: Solenoid valve A: Air Piloted valve	10: G 3/8" 15: G 1/2" 20: G 3/4" 25: G 1"	DC12V DC24V AC24V 50Hz/60Hz AC110V 50Hz/60Hz AC220V 50Hz/60Hz AC380V 50Hz/60Hz	Blank: Without light indicator LD: Brown with light indicator LD1: White with light indicator W: Lead wire

Specification

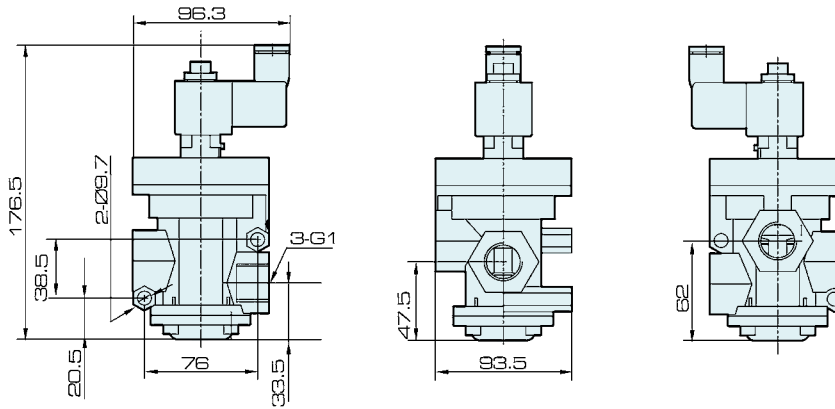
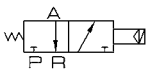
Model	3VJZF-15/10	3VJZF-25/20	3AJZF-15/10	3AJZF-25/20
Working Medium	Air			
Operation	Stop Type			
Orifice	16 mm	25 mm	16 mm	25 mm
Port Size	G 1/2", G 3/8"	G 1", G 3/4"	G 1/2", G 3/8"	G 1", G 3/4"
Working-pressure	0 ~ 1.0 MPa			
Max. Test Pressure	1.5 MPa			
Operating Voltage Tolerance	± 10%			
Material of Body	Aluminum			

Overall Dimension

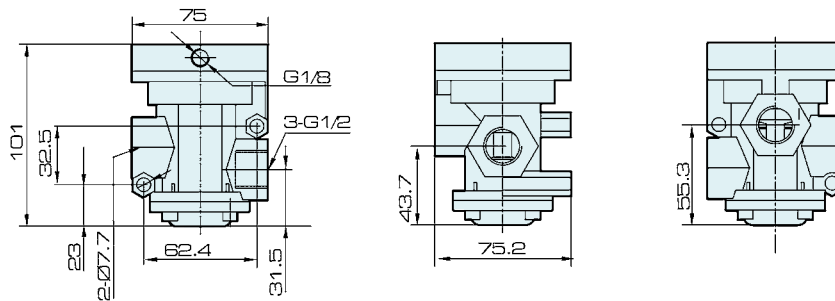
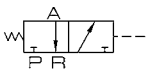
3VJZF-15



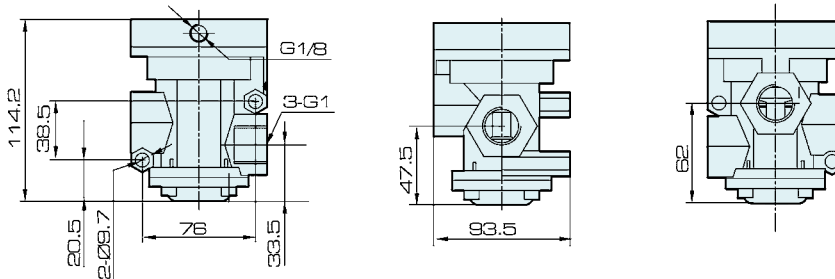
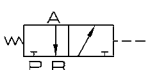
3VJZF-25



3AJZF-15



3AJZF-25



Valve

4V100

4V200

4V300

4V400

Manifold

3V1

JZF

JZF

MVSD

VF, VZ

BM, PU, AM

Diaphragm

Coil

2V

2W

2W(Big)

2P

2L

VX

PU

PU225

2Q

JEL5404

JEL6213

Pulse

JEL, JZF

4H

TSV86

MPV

4HV

HV, K

4R

4F

MSV

JM

ASC, RE

QE, QEA

ST

HSV