

4HV Series Hand Switching Valve



The way to automation

- Valve
- 4V100
- 4V200
- 4V300
- 4V400
- Manifold
- 3V1
- JEL
- JZF
- MVSD
- VF, VZ
- BM, PU, AM
- Diaphragm
- Coil
- 2V
- 2W
- 2W(Big)
- 2P
- 2L
- VX
- PU
- PU225
- 2Q
- JEL5404
- JEL6213
- Pulse
- JELJZF
- 4H
- TSV
- MPV
- 4HV
- HV, K
- 4R
- 4F
- MSV
- JM
- ASC, RE
- QE, QEA
- ST
- HSV



Ordering Code

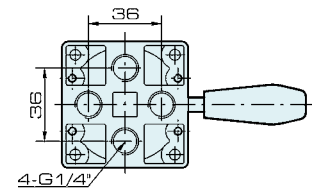
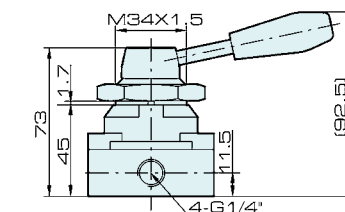
4HV	2	30	C	06	TC	S
Specification	Series	Position Number	Middle Position	Port Size	Seal Form	Nut
4HV: Hand Switching Valve	2: 2 Series 3: 3 Series 4: 4 Series	10: 4/2 way 30: 4/3 way	C: Mid-position Closed E: Mid-position Exhaust P: Mid-position Pressure	06: G 1/8" 08: G 1/4" 10: G 3/8" 15: G 1/2" 20: G 3/4"	Blank: NBR Ceramic: TC	Blank: Without nut S: With nut

Specification

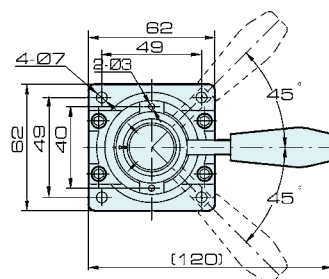
Model	4HV2□□□-06	4HV2□□□-08	4HV3□□□-08	4HV3□□□-10	4HV4□□□-15	4HV4□□□-20
Working Medium	40 Micron Filtered Air					
Port Size	G 1/8"	G 1/4"	G 1/4"	G 3/8"	G 1/2"	G 3/4"
Working Pressure	1.0 MPa					
Max. Test Pressure	1.2 MPa					
Max. Ambient Temperature	-5 ~ +60 °C					
Working Angle	90					

Overall Dimension

4HV230C-08

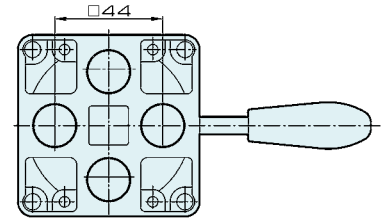
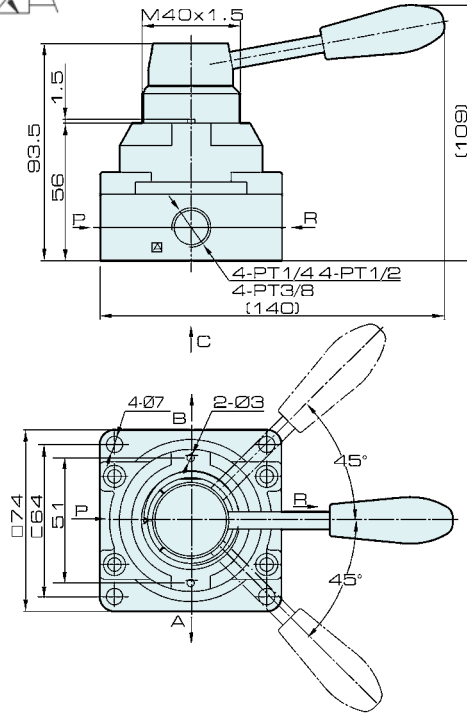
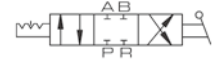


Base Installation

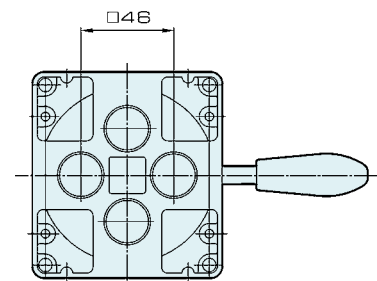
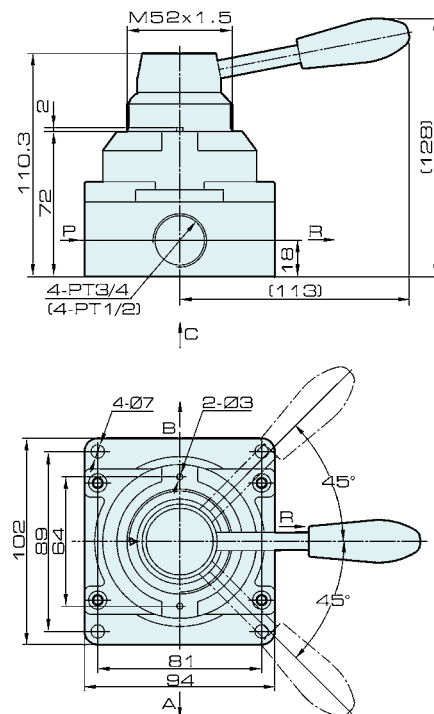
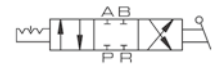


Overall Dimension

4HV330C-10



4HV430C-15



Valve

4V100

4V200

4V300

4V400

Manifold

3V1

JEL

JZF

MVSD

VF, VZ

BM, PU, AM

Diaphragm

Coil

2V

2W

2W(Big)

2P

2L

VX

PU

PU225

2Q

JEL5404

JEL6213

Pulse

JEL, JZF

4H

TSV86

MPV

4HV

HV, K

4R

4F

MSV

JM

ASC, RE

QE, QEA

ST

HSV