



3R210-08

3R310-08

4R210-08

4R310-08

Ordering Code

4R	2	10	06
Specification	Series	Position Number	Port Size
4R: 5/2 Way Hand Draw Valve 3R: 3/2 Way Hand Draw Valve	100 Series 200 Series 300 Series	10: Single head Double Position	06: G 1/8" 08: G 1/4" 10: G 3/8"

Specification

Model	4R110-06	4R210-06	4R210-08	3R210-06	3R110-08	4R310-08	4R310-10	3R310-08	3R310-10
Working Medium	40 Micron Filtered Air								
Port Size	Inlet, Outlet, Exhaust Port = G 1/8"		Inlet, Outlet = G 1/4 Exhaust Port = G 1/8 "	Inlet, Outlet, Exhaust Port = G 1/8"	Inlet, Outlet, Exhaust Port = G 1/4"	Inlet, Outlet, Exhaust Port = G 1/4"	Inlet, Outlet = G 3/8" Exhaust Port = G 1/4"	Inlet, Outlet, Exhaust Port = G 1/4"	Inlet, Outlet, Exhaust Port = G 3/8"
Effective Cross Section Area	10 mm ² (CV=0.56)	14 mm ² (CV=0.78)	16 mm ² (CV=0.89)	14 mm ² (CV=0.78)	16 mm ² (CV=0.89)	25 mm ² (CV=1.40)	30 mm ² (CV=1.68)	25 mm ² (CV=1.40)	30 mm ² (CV=1.68)
Working Pressure	0 ~ 0.8 MPa								
Working Temperature	0 ~ 60 °C								
Position Number	5/2 way		3/2 way		5/2 way		3/2 way		

Valve

- 4V100
- 4V200
- 4V300
- 4V400
- Manifold
- 3V1
- JEL
- JZF
- MVSD
- VF, VZ
- BM, PU, AM
- Diaphragm
- Coil
- 2V
- 2W
- 2W(Big)
- 2P
- 2L
- VX
- PU
- PU225
- 2Q
- JEL5404
- JEL6213
- Pulse
- JEL, JZF
- 4H
- TSV86
- MPV
- 4HV
- HV, K
- 4R**
- 4F
- MSV
- JM
- ASC, RE
- QE, QEA
- ST
- HSV

4R Series

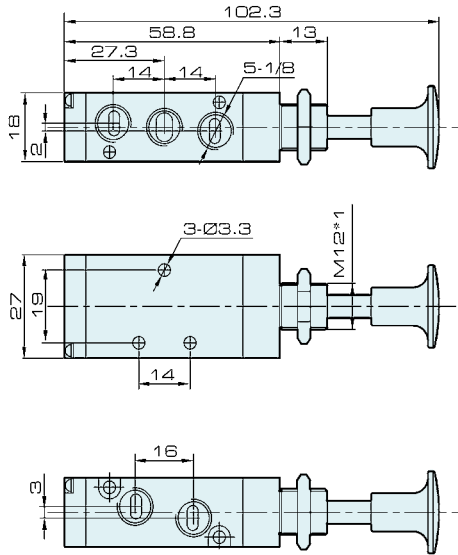
Hand Draw Valve



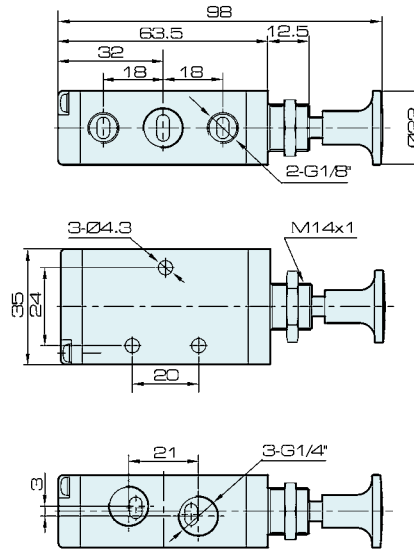
The way to automation

Overall Dimension

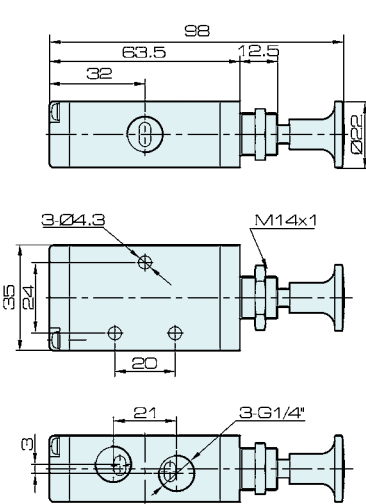
4R110-06



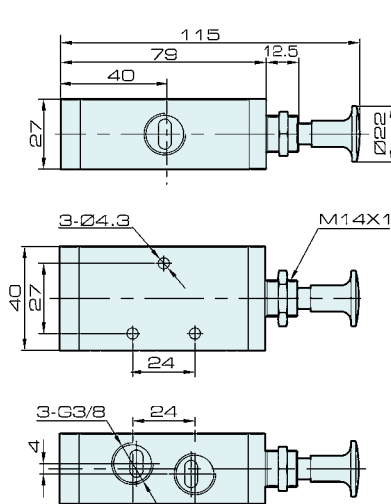
4R210-08



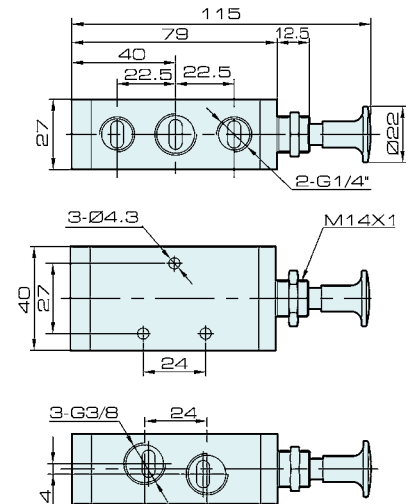
3R210-08



3R310-10



4R310-10



- Valve
- 4V100
- 4V200
- 4V300
- 4V400
- Manifold
- 3V1
- JEL
- JZF
- MVSD
- VF, VZ
- BM, PU, AM
- Diaphragm
- Coil
- 2V
- 2W
- 2W(Big)
- 2P
- 2L
- VX
- PU
- PU225
- 2Q
- JEL5404
- JEL6213
- Pulse
- JELJZF
- 4H
- TSV
- MPV
- 4HV
- HV, K
- 4R**
- 4F
- MSV
- JM
- ASC, RE
- QE, QEA
- ST
- HSV