



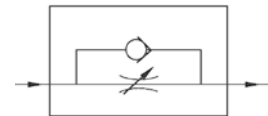
- Valve
- 4V100
- 4V200
- 4V300
- 4V400
- Manifold
- 3V1
- JEL
- JZF
- MVSD
- VF, VZ
- BM, PU, AM
- Diaphragm
- Coil
- 2V
- 2W
- 2W(Big)
- 2P
- 2L
- VX
- PU
- PU225
- 2Q
- JEL5404
- JEL6213
- Pulse
- JEL, JZF
- 4H
- TSV86
- MPV
- 4HV
- HV, K
- 4R
- 4F
- MSV
- JM
- ASC, RE**
- QE, QEA
- ST
- HSV

### Ordering Code

ASC	2
Series Code	Port Size
ASC: Precision Flow Control Valve	06: G 1/8"
	08: G 1/4"
	10: G 3/8"
	15: G 1/2"

RE	06
Series Code	Port Size
RE: Standard flow control valve	01: G 1/8"
	02: G 1/4"
	03: G 3/8"
	04: G 1/2"

### Symbol



### Specification

Model	Accurate Type				Ordinary Type			
	ASC-06	ASC-08	ASC-10	ASC-15	RE-01	RE-02	RE-03	RE-04
Port Size	G 1/8"	G 1/4"	G 3/8"	G 1/2"	G 1/8"	G 1/4"	G 3/8"	G 1/2"
Working Medium	Air							
Working Pressure	0 ~ 0.95 MPa							
Ambient Temperature	0 ~ 60 °C							

\* ASC-08B installation conforms to NUMAR standard for controlling speed of executive unit.

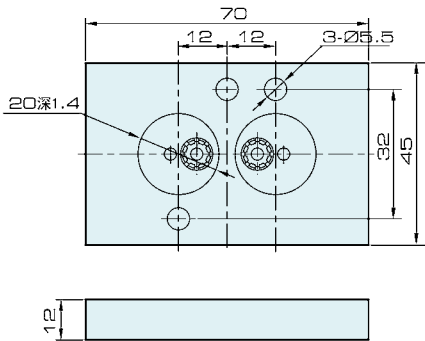
# ASC, RE Series Flow Control Valve



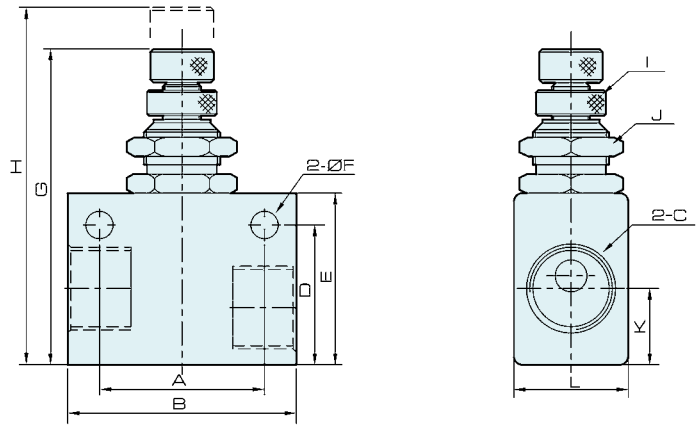
The way to automation

## Overall Dimension

### ASC-08B



### ASC Series

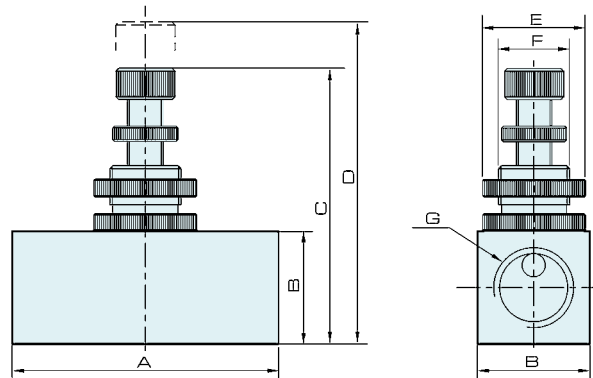


## Dimension

Moedl Symbol	A	B	C	D	E	F	G	H	I	J	K	L
ASC-06	22	32	G 1/8	22	27	4.3	49.7	56.5	M 6 X 0.5	M 12 X 0.75	12	18
ASC-08	26	36	G 1/4	22	27	4.3	49.7	56.5	M 6 X 0.5	M 12 X 0.75	12	18
ASC-10	28	40	G 3/8	25	30	4.3	52.7	59.5	M 6 X 0.5	M 12 X 0.75	13	22
ASC-15	28	40	G 1/2	30	35	4.3	58.7	65.5	M 6 X 0.5	M 12 X 0.75	13.5	26

## Overall Dimension

### RE Series



## Dimension

Moedl/ Symbol	A	B	C	D	E	F	G
RE-01	45	19	43	50	Φ19	M 14 × 1	G 1/8
RE-02	45	19	43	50	Φ19	M 14 × 1	G 1/4
RE-03	55	25	55	62	Φ25	M 18 × 1	G 3/8
RE-04	55	25	55	62	Φ25	M 18 × 1	G 1/2

- Valve
- 4V100
- 4V200
- 4V300
- 4V400
- Manifold
- 3V1
- JEL
- JZF
- MVSD
- VF, VZ
- BM, PU, AM
- Diaphragm
- Coil
- 2V
- 2W
- 2W(Big)
- 2P
- 2L
- VX
- PU
- PU225
- 2Q
- JEL5404
- JEL6213
- Pulse
- JELJZF
- 4H
- TSV
- MPV
- 4HV
- HV, K
- 4R
- 4F
- MSV
- JM
- ASC, RE
- QE, QEA
- ST
- HSV