

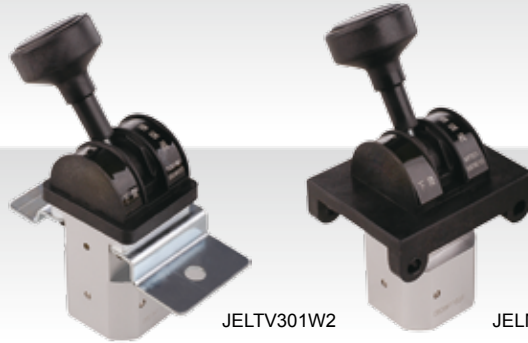
JELMP / TV Series

Air Control Valve



The way to automation

- NEW
- JZF
- SV
- MCS
- BU
- DJF
- JELMP
- JELP/G
- JEL
- GC
- ZYR10
- SQ
- DNT
- SIB
- SL
- DSN-R
- JDA
- MAR300LK



JELTV301W2

JELMP301

Suitable for the hydraulic system of automatic dumping automobiles, acting as the air resource for controlling hydraulic directional change valve.

Ordering Code

JELMP301

Flange Type

JELTV301W2

Basic Type

Symbol

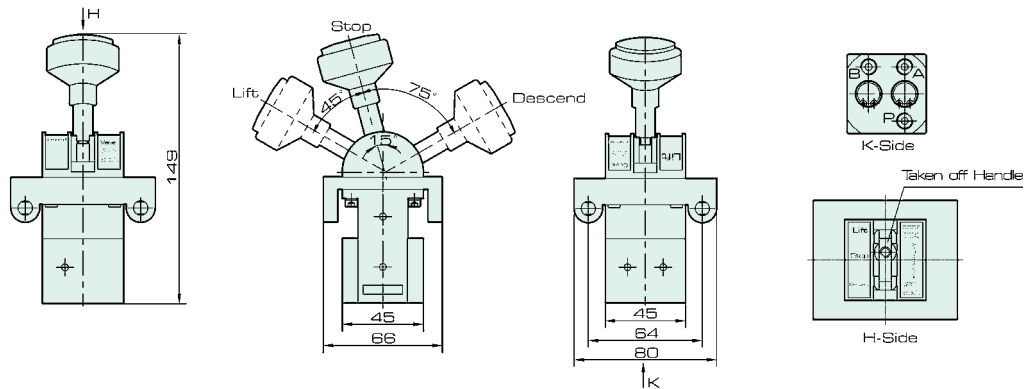


Specification

Model	Bore (mm)	Working Medium	Working Pressure Range (MPa)	Medium Temperature (°C)	Ambient Temperature (°C)	Port Size
JELMP301	6 mm	Compressed Air	0 ~ 0.8 Mpa	5 ~ 60°C	5 ~ 60°C	NPT 1/8"
JELTV301W2	6 mm	Compressed Air	0 ~ 0.8 Mpa	5 ~ 60°C	5 ~ 60°C	NPT 1/8"

Overall Dimension

JELMP301



JELTV301W2

