

NEW

JZF  
SV  
MCS  
BU  
DJF  
JELMP  
JELP/G  
JEL  
GC  
ZYR10  
SQ  
DNT  
SIB  
SL  
DSN-R  
JDA  
MAR300LK

## Ordering Code

<b>JELP</b>	<b>3HA</b>	<b>2</b>	<b>20</b>	<b>08</b>
Model	Specification	Series Code	Position Number	Port Size
JELP Hand Lever Air Control Valve	3HA: Air Control Valve	2: 2 Series	20: 3/2 way	08: 1/4"
JELG Hand Lever Air Control Valve				



JELG3HA220-08 Air Control Valve



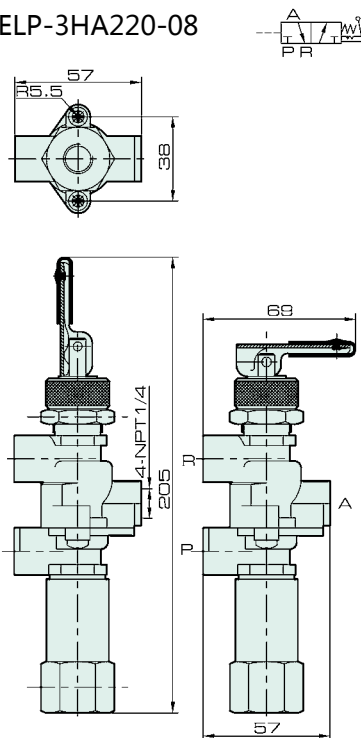
JELP3HA220-08 Hand Lever Air Control Valve

## Specification

Model	Bore (mm)	Working Medium	Working Pressure Range (MPa)	Medium Temperature (°C)	Ambient Temperature (°C)	Port Size
JELP-3HA220-08	7 mm	Compressed Air	0 ~ 0.8 Mpa	-20 ~ +60 °C	-10 ~ +60 °C	NPT 1/4"
JELG-3HA220-08	7 mm	Compressed Air	0 ~ 0.8 Mpa	-20 ~ +60 °C	-10 ~ +60 °C	NPT 1/4"

## Overall Dimension

### JELP-3HA220-08



### JELG-3HA220-08

