

QEA-01

QE-01

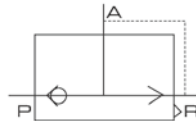
QE-02

QE-03

Ordering Code

QE	01
⋮	⋮
Series Code	Port Size
QE: Quick Exhaust Valve	01: G 1/8"
QEA: Quick Exhaust Valve	02: G 1/4"
	03: G 3/8"
	04: G 1/2"
	06: G 3/4"

Symbol

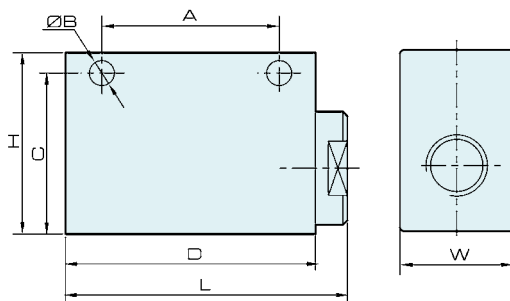


Specification

Model	QE-01	QE-02	QE-03	QE-04	QE-06
Port Size	G 1/8"	G 1/4"	G 3/8"	G 1/2"	G 3/4"
Effective Cross Section Area	16 mm ²	27.5 mm ²	28 mm ²	71 mm ²	72.5 mm ²
Working Medium	Air				
Working Pressure	0 ~ 1.0 MPa				
Ambient Temperature	0 ~ 60 °C				

Overall Dimension

QE Series



Dimension

Model/Symbol	Bore	L	W	H	A	B	C	D
QE-01	G 1/8	46	20	32	30	4.3	27	40
QE-02	G 1/4	62	25	40	39	5.6	33.5	55
QE-03	G 3/8	62	25	40	39	5.6	33.5	55
QE-04	G 1/2	98	38	64	60	8.5	51	90
QE-06	G 3/4	98	38	64	60	8.5	51	90

Valve

4V100

4V200

4V300

4V400

Manifold

3V1

JEL

JZF

MVSD

VF, VZ

BM, PU, AM

Diaphragm

Coil

2V

2W

2W(Big)

2P

2L

VX

PU

PU225

2Q

JEL5404

JEL6213

Pulse

JEL, JZF

4H

TSV86

MPV

4HV

HV, K

4R

4F

MSV

JM

ASC, RE

QE,QEA

ST

HSV