

TSV Series

Hand Pull Valve



The way to automation

- Valve
- 4V100
- 4V200
- 4V300
- 4V400
- Manifold
- 3V1
- JEL
- JZF
- MVSD
- VF, VZ
- BM, PU, AM
- Diaphragm
- Coil
- 2V
- 2W
- 2W(Big)
- 2P
- 2L
- VX
- PU
- PU225
- 2Q
- JEL5404
- JEL6213
- Pulse
- JELJZF
- 4H
- TSV**
- MPV
- 4HV
- HV, K
- 4R
- 4F
- MSV
- JM
- ASC, RE
- QE, QEA
- ST
- HSV



TSV98322-M

TSV86522-M

Ordering Code

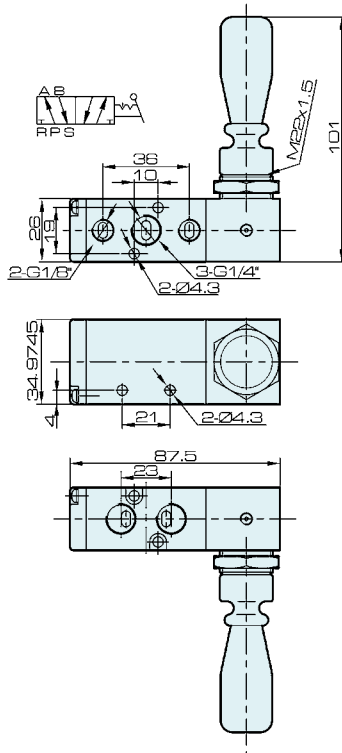
TSV86	52	2	M
Specification	Position Number	Type	Code
TSV86	52: 5/2 way	1: G 1/8"	M: Mechanical Lock
TSV98	32: 3/2 way	2: G 1/4"	S: Spring Rebound

Specification

Model	TSV86522 ^M _S	TSV98322 ^M _S
Working Medium	40 Micron Filtered Air	
Operation	Direct	
Effective Cross Section Area	18 mm ²	
Port Size	G 1/4"	
Working Pressure	0 ~ 0.8 MPa	
Working Temperature	0 ~ 60 °C	

Overall Dimension

TSV86522



TSV98322

