

Air Filter(AF)



◆ SAF2000M~6000M Series



SAF6000M

SAF4000M

SAF2000M

● How to order

SAF 3000M-03 BD-Me

1 Air Filter

2 Body Size

20 - 1/4

30 - 3/8

40 - 1/2

60 - 1

3 Port Size

02 - Rc(PT) 1/4 ~

03 - Rc(PT) 3/8 ~

04 - Rc(PT) 1/2 ~

06 - Rc(PT) 3/4 ~

10 - Rc(PT) 1 ~

4 Accessory(Optional)

Nil - Manual Drain

B - Bracket

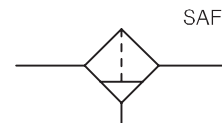
D - Auto Drain

5 Option

Nil - PC Bowl

Me - Metal Bowl

● Symbol



● Specification

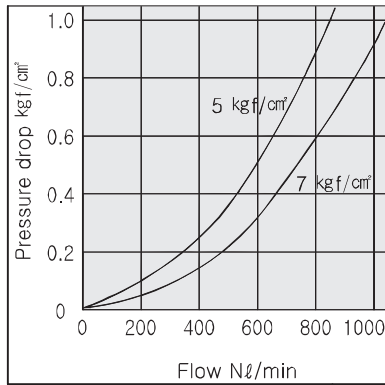
Max. supply pressure	1.5MPa [15.3 kgf/cm ²]
Max. operating pressure	1.0MPa [10.2 kgf/cm ²]
Min. operating pressure	0.05MPa [0.5 kgf/cm ²]
Ambient and media temperature	5 ~ 60℃
Filtration	Standard:10μm, Option:2, 5, 20, 40
Bowl material	Poly-carbonate · Metal

● Precautions

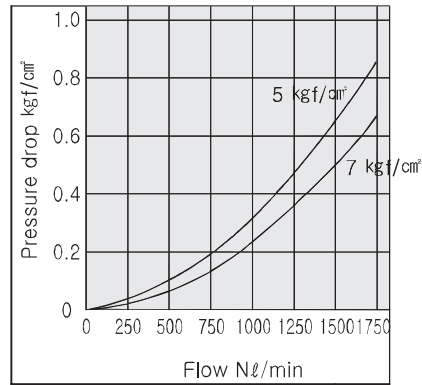
- ① Poly-carbonate bowls may be damaged and highly possible to fail if exposed to synthetic oils, thinner solvents, trichloroethylene, kerosene, chloroform, cyclohexane or other aromatic hydrocarbons and such environment exposed chemicals such as above.
- ② When auto drain is used :
Drain piping should be both 4mm or greater in diameter and less than 1m in length.
Also should avoid setting drain piping upwards.
- ③ When auto drain is out of order, it is possible to drain manually by operating one-touch-fitting vertically.
- ④ With a drain cock attached, drain can be done when the head of liquid is shown at the glass indication tube.

● FLOW CHARACTERISTICS

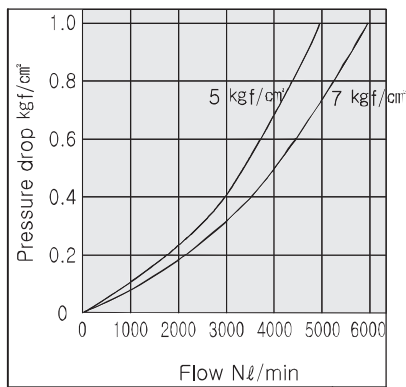
SAF 2000M



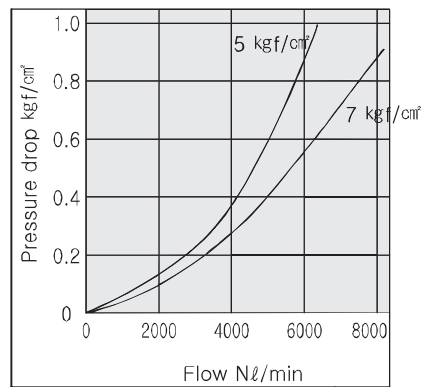
SAF 3000M



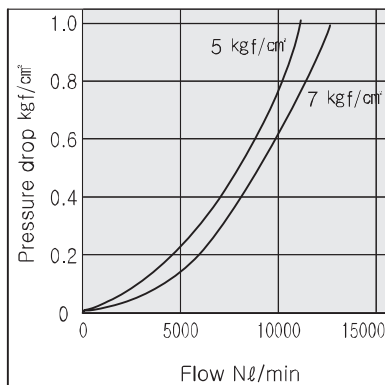
SAF 4000M-04



SAF 4000M-06



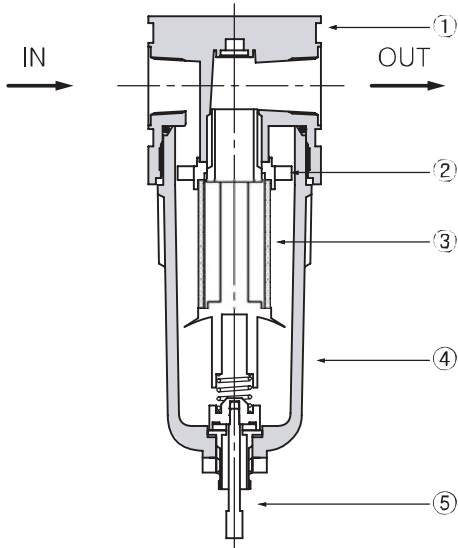
SAF 6000M



SAF

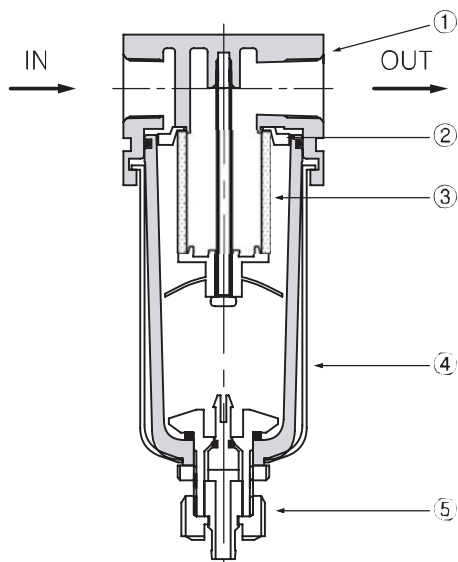
● STRUCTURE / PARTS

SAF 2000M



No.	PARTS	MATERIAL
1	Body	ZnDC
2	Buffer	ABS
3	Element	Porous plastics
4	Bowl	PC
5	Drain part	

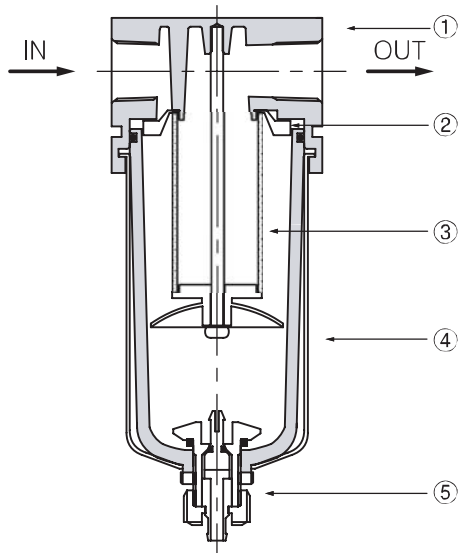
SAF 3000M



No.	PARTS	MATERIAL
1	Body	ALDC
2	Buffer	ABS
3	Element	Porous plastics
4	Bowl	PC
5	Drain part	

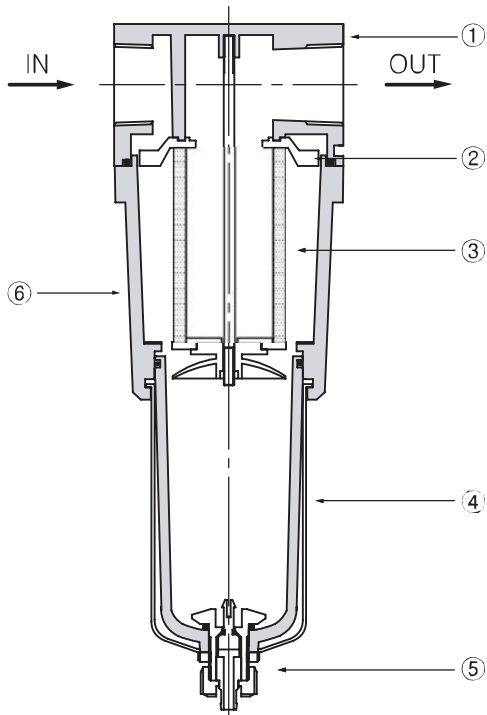
● STRUCTURE / PARTS

SAF 4000M



No.	PARTS	MATERIAL
1	Body	ALDC
2	Buffer	ABS
3	Element	Porous plastics
4	Bowl	PC
5	Drain part	

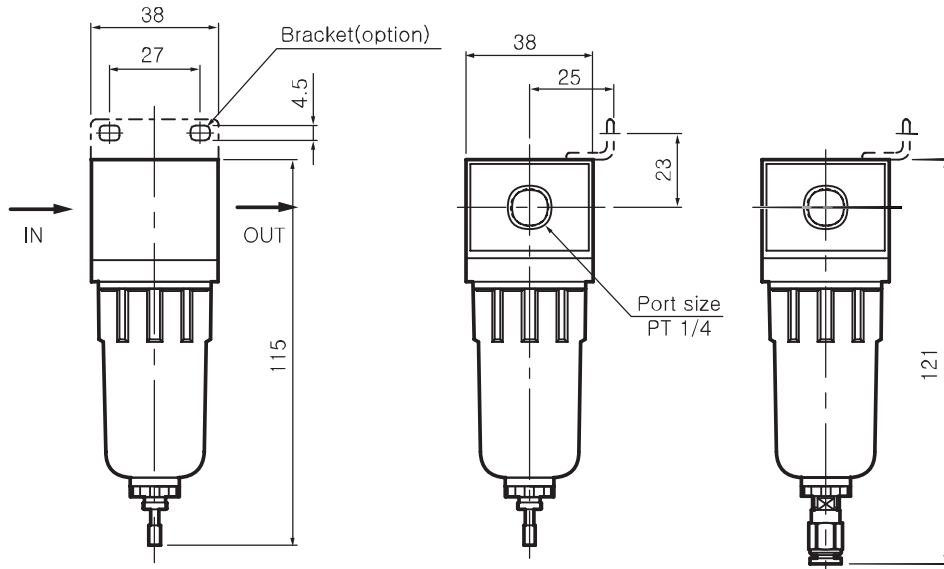
SAF 6000M



No.	PARTS	MATERIAL
1	Body	ALDC
2	Buffer	ABS
3	Element	Porous plastics
4	Bowl	PC
5	Drain part	
6	Cover	ALDC

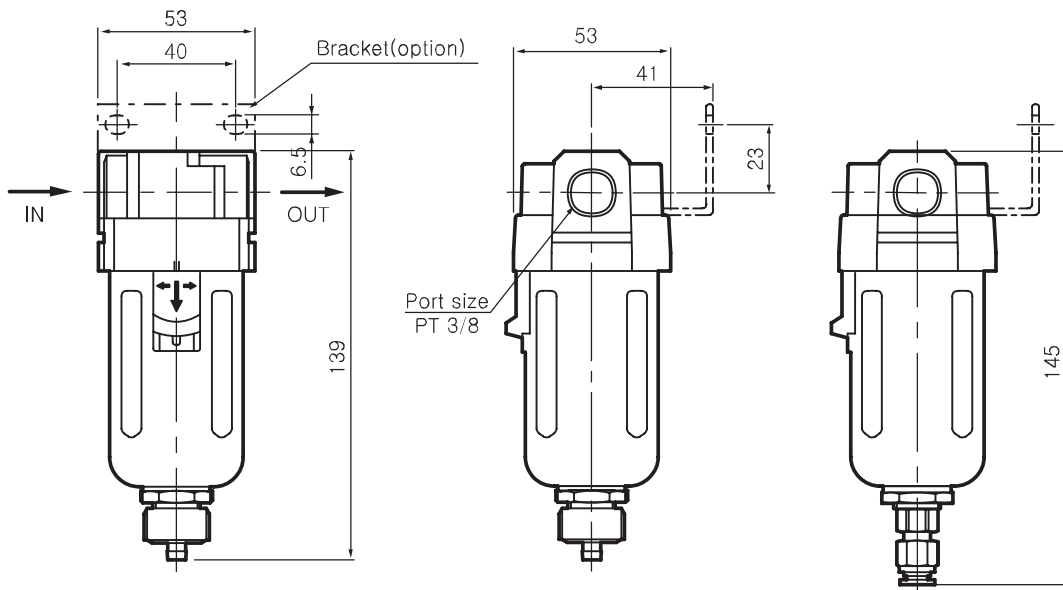
● DIMENSIONS(mm)

SAF 2000M



With differential pressure type auto drain

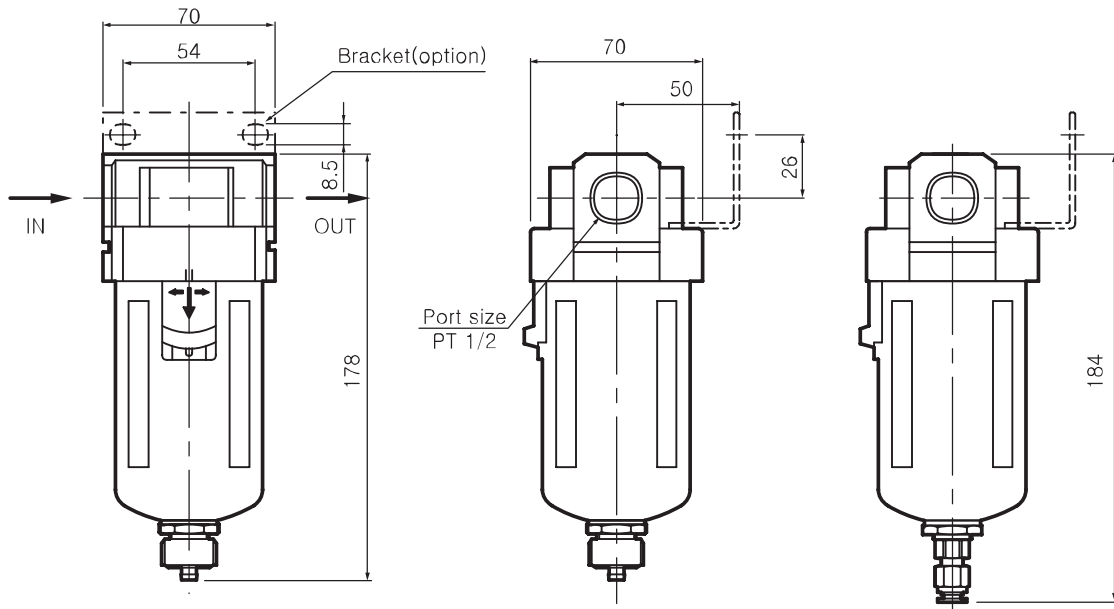
SAF 3000M



With float type auto drain

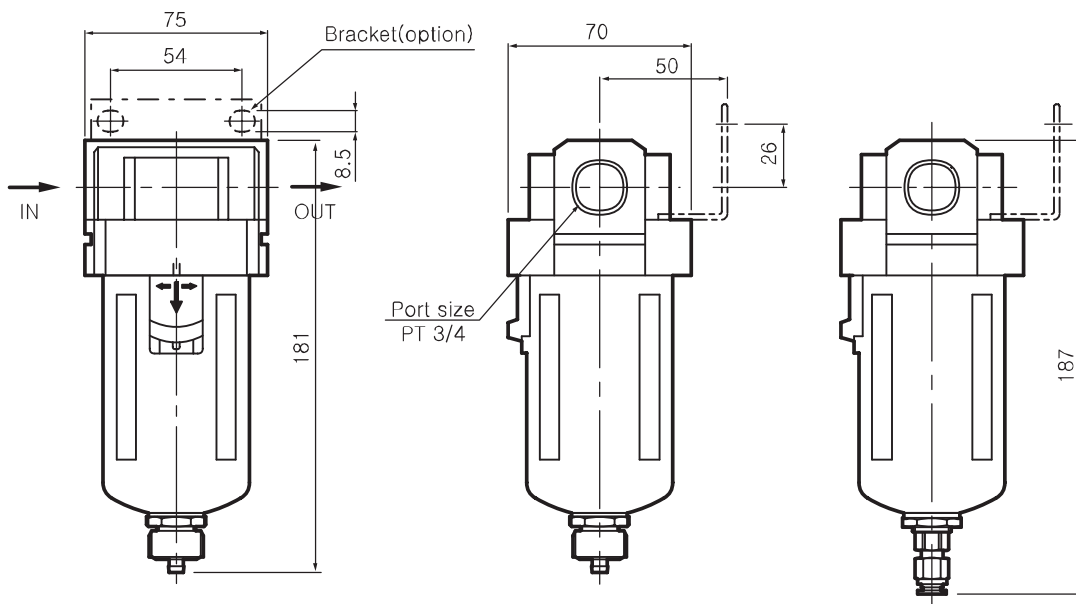
● DIMENSIONS(mm)

SAF 4000M-04



With float type auto drain

SAF 4000M-06

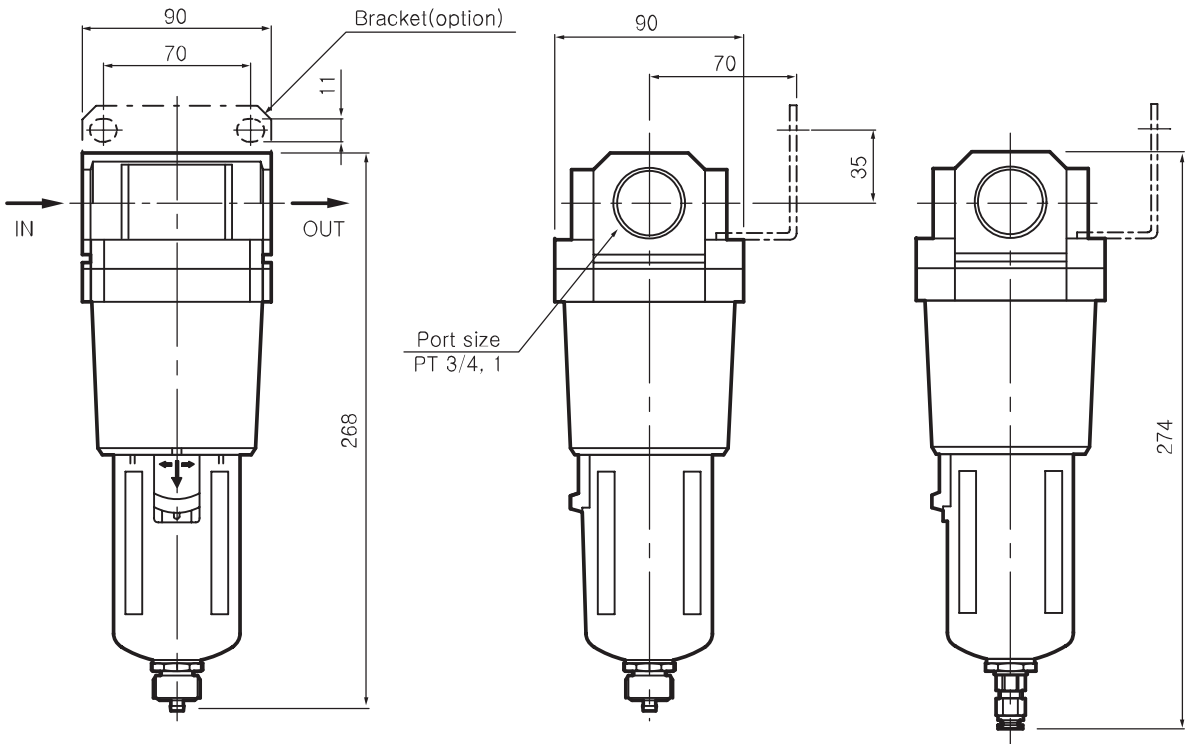


With float type auto drain

SAF

● DIMENSIONS(mm)

SAF 6000M

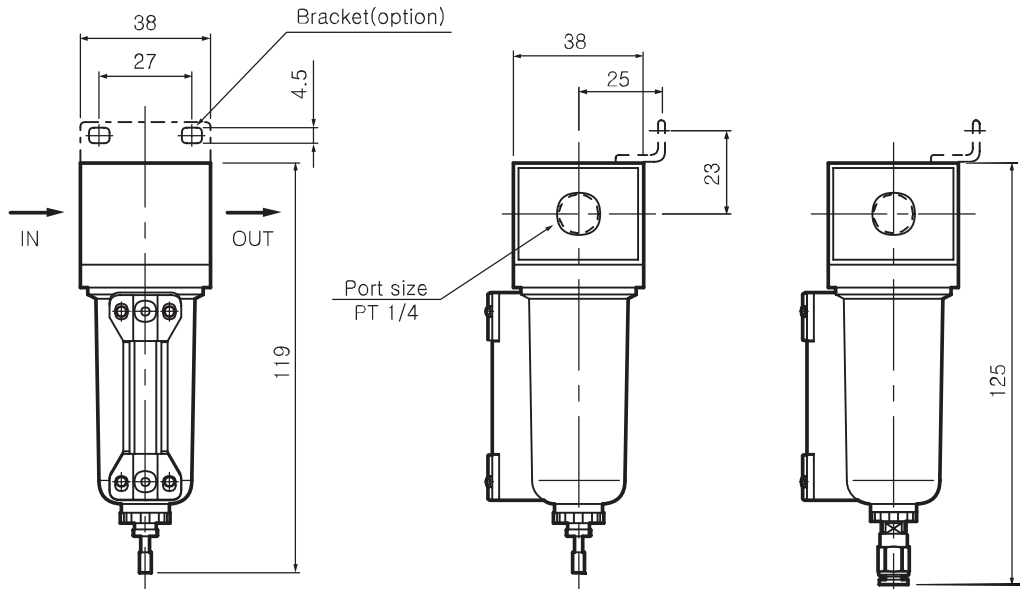


With float type auto drain

SAF

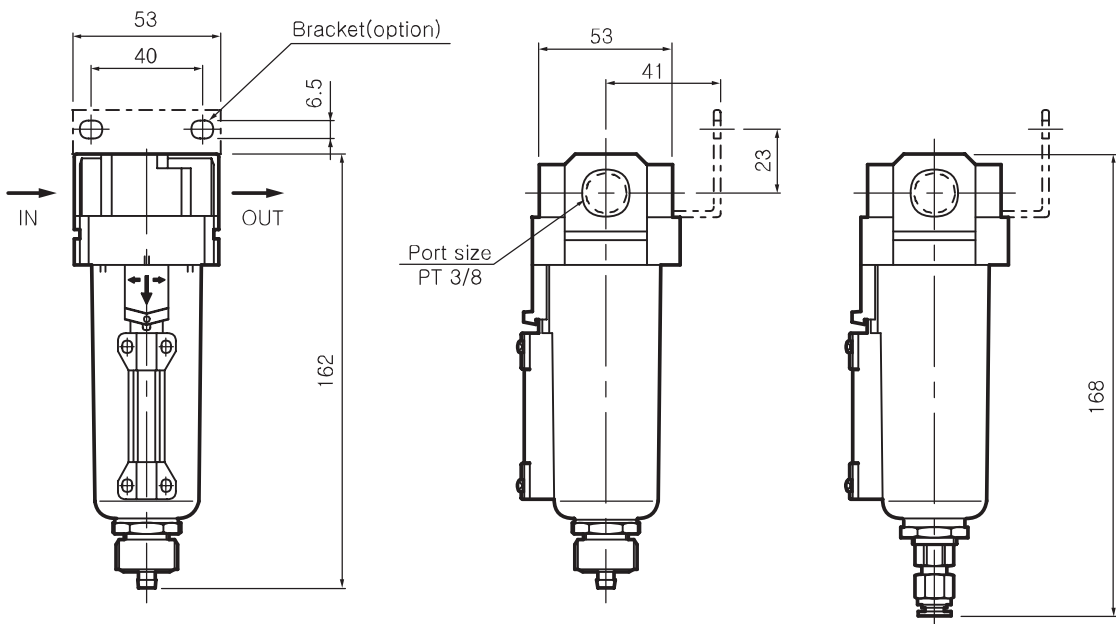
● DIMENSIONS(mm) – Metal Bowl

SAF 2000M-Me



With differential pressure type auto drain

SAF 3000M-Me

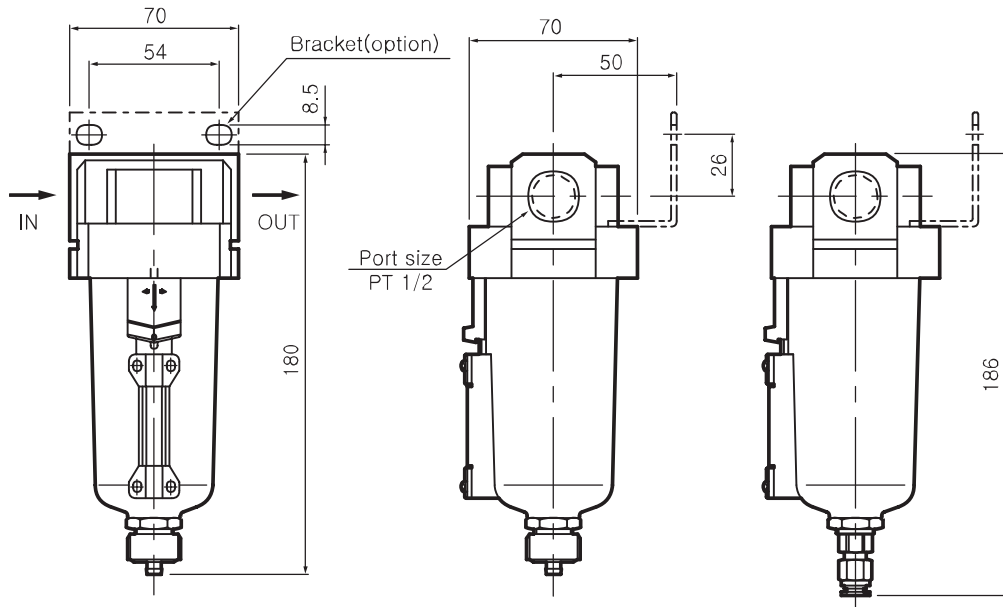


With float type auto drain

SAF

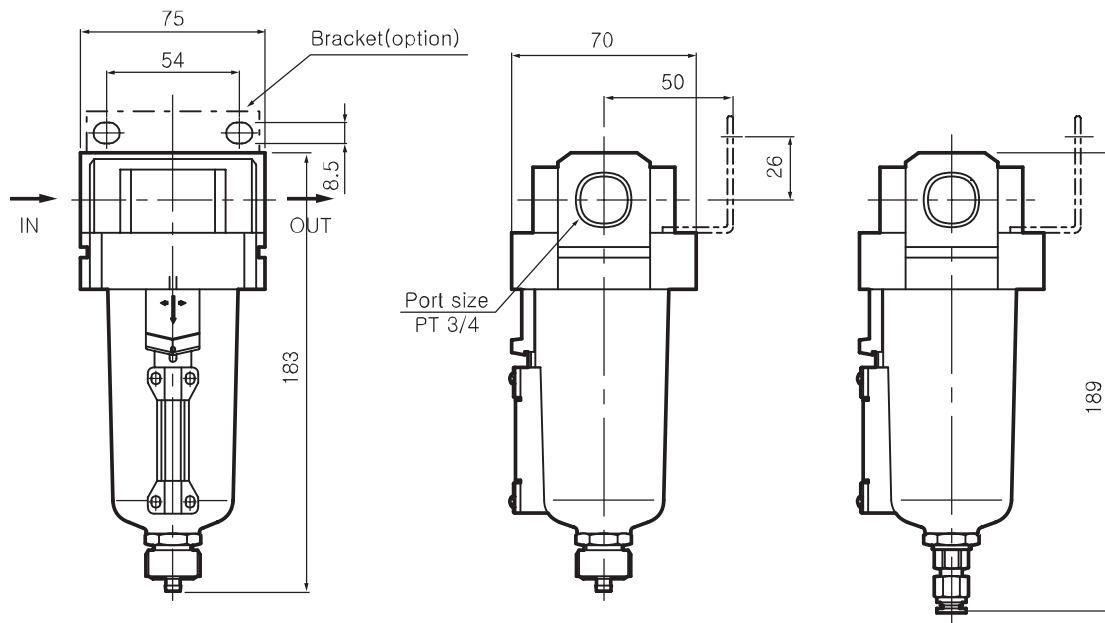
● DIMENSIONS(mm) – Metal Bowl

SAF 4000M-04-Me



With float type auto drain

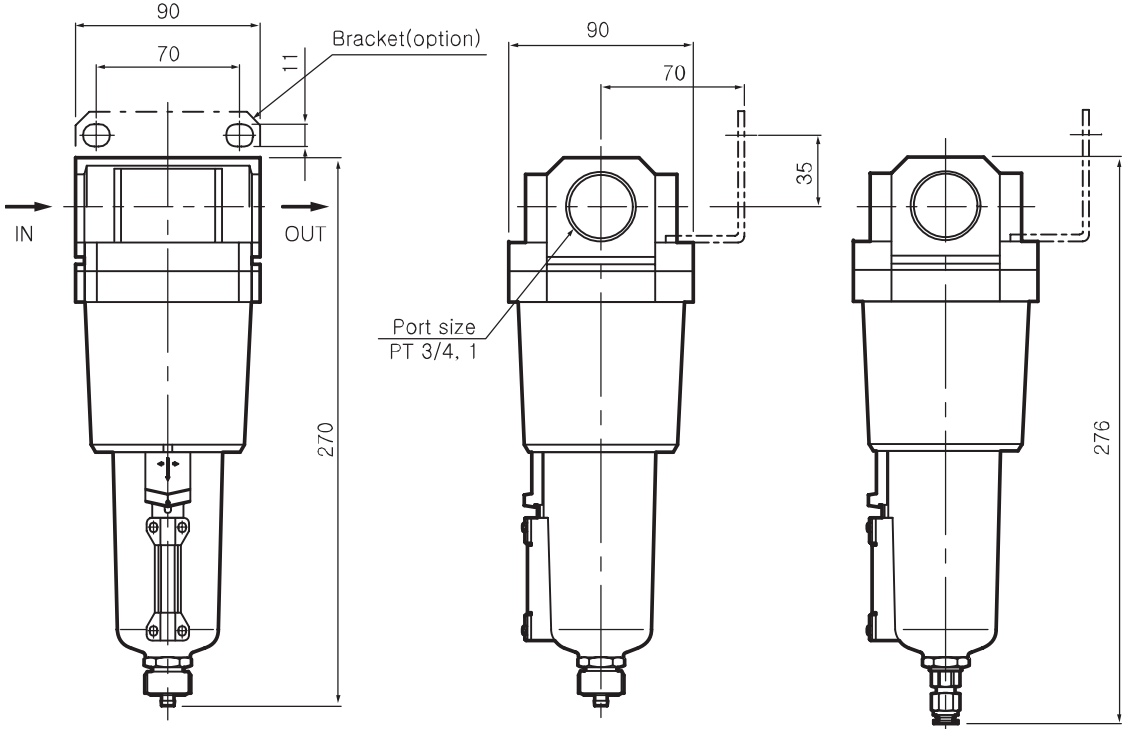
SAF 4000M-06-Me



With float type auto drain

● DIMENSIONS(mm) – Metal Bowl

SAF 6000M-Me



SAF