

# Air Lubricator(AL)



## ◆ SAL2000M~6000M Series

### ● How to order

**SAL 3000M-03 B - Me**

1 Air Lubricator

2 Body Size

- 20 - 1/4
- 30 - 3/8
- 40 - 1/2
- 60 - 1

4 Port Size

- 02 - Rc(PT) 1/4 ~
- 03 - Rc(PT) 3/8 ~
- 04 - Rc(PT) 1/2 ~
- 06 - Rc(PT) 3/4 ~
- 10 - Rc(PT) 1 ~

5 Accessory(Optional)

- B - Bracket

6 Option

- 무기호 - PC Bowl
- Me - Metal Bowl

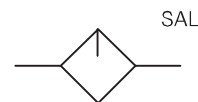


SAL6000M



SAL3000M

### ● Symbol



### ● Specification

Max. supply pressure	1.5MPa [15.3 kgf/cm <sup>2</sup> ]
Max. operating pressure	1.0MPa [10.2 kgf/cm <sup>2</sup> ]
Min. operating pressure	0.05MPa [0.5 kgf/cm <sup>2</sup> ]
Ambient and media temperature	5 ~ 60℃
Recommended oil	Turbin oil (ISO VG32)
Bowl material	Poly-carbonate · Metal

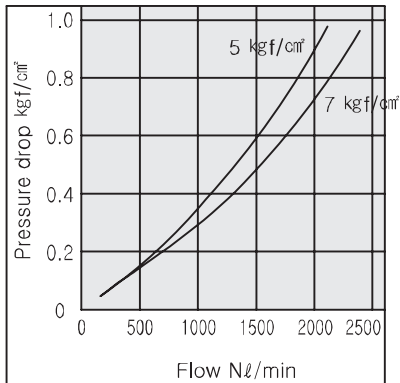
### ● Precautions

- ① Poly-carbonate bowls may be damaged and highly possible to fail if exposed to synthetic oils, thinner solvents, trichloroethylene, kerosene, chloroform, cyclohexane or other aromatic hydrocarbons and such environment exposed chemicals such as above.

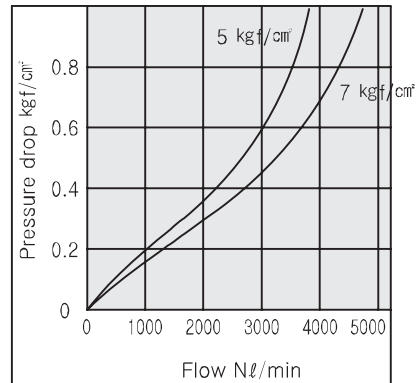
- ② Use a neutral detergent to wash the bowl.

## ● FLOW CHARACTERISTICS

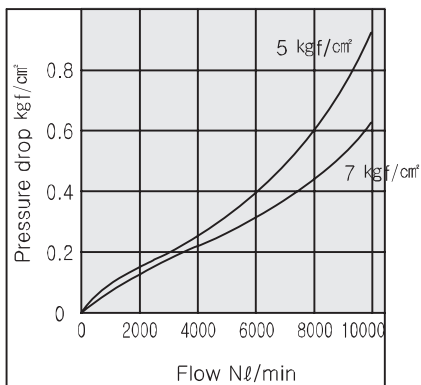
### SAL 2000M



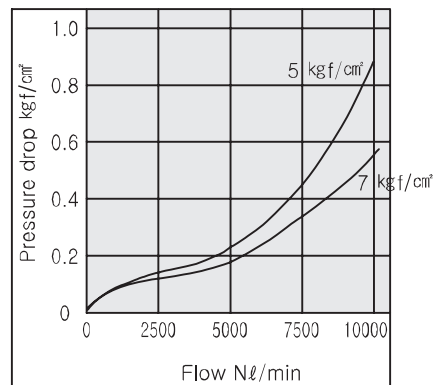
### SAL 3000M



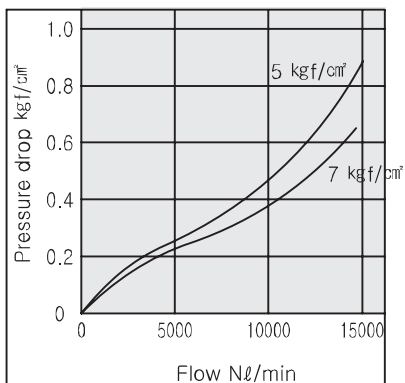
### SAL 4000M-04



### SAL 4000M-06

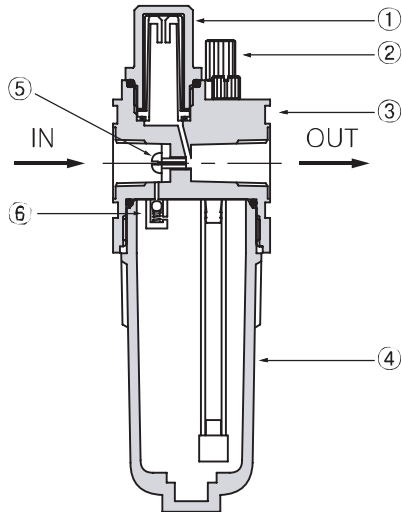


### SAL 6000M



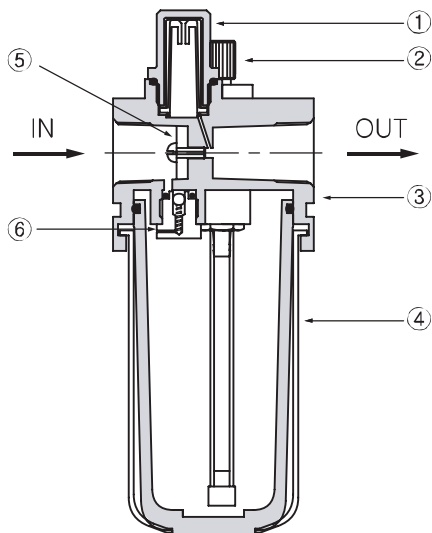
## ● STRUCTURE / PARTS

### SAL 2000M



No.	PARTS	MATERIAL
1	Oil cap	PC
2	Throttle screw	Bs
3	Body	ZnDC
4	Bowl	PC
5	Damper	NBR
6	Check valve	BALL

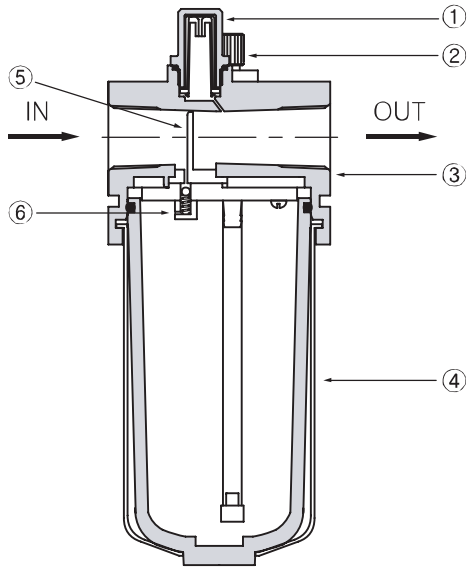
### SAL 3000M



No.	PARTS	MATERIAL
1	Oil cap	PC
2	Throttle screw	Bs
3	Body	ALDC
4	Bowl	PC
5	Damper	NBR
6	Check valve	BALL

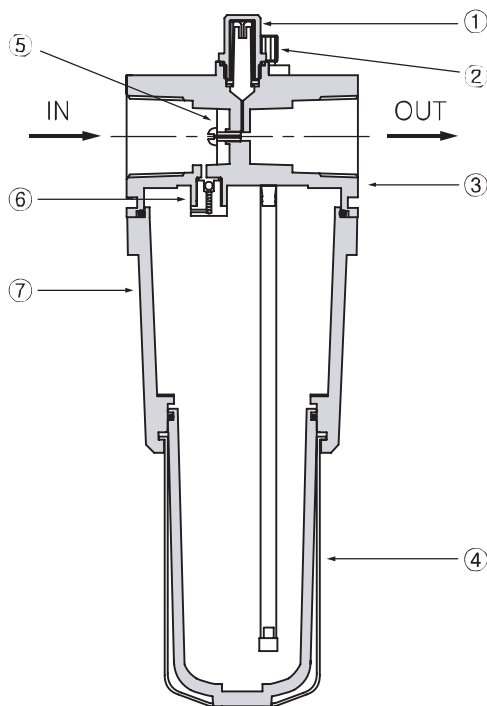
## ● STRUCTURE / PARTS

### SAL 4000M



No.	PARTS	MATERIAL
1	Oil cap	PC
2	Throttle screw	Bs
3	Body	ALDC
4	Bowl	PC
5	Damper	PU
6	Check valve	BALL

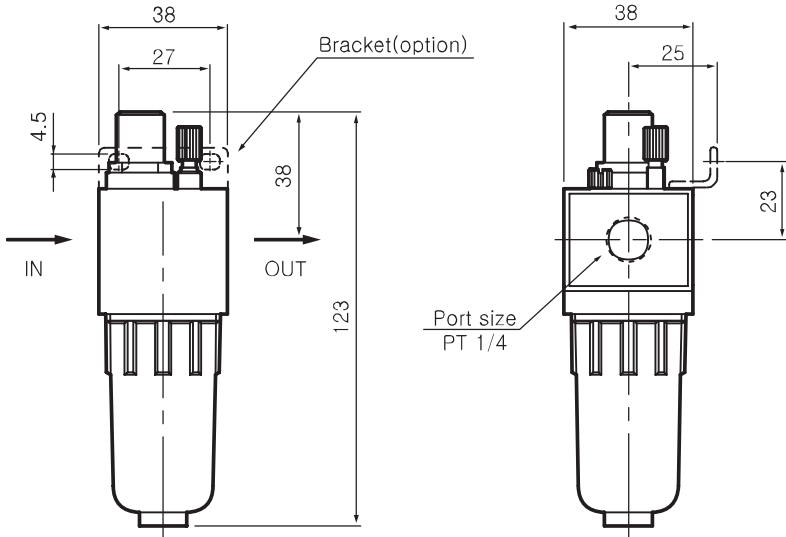
### SAL 6000M



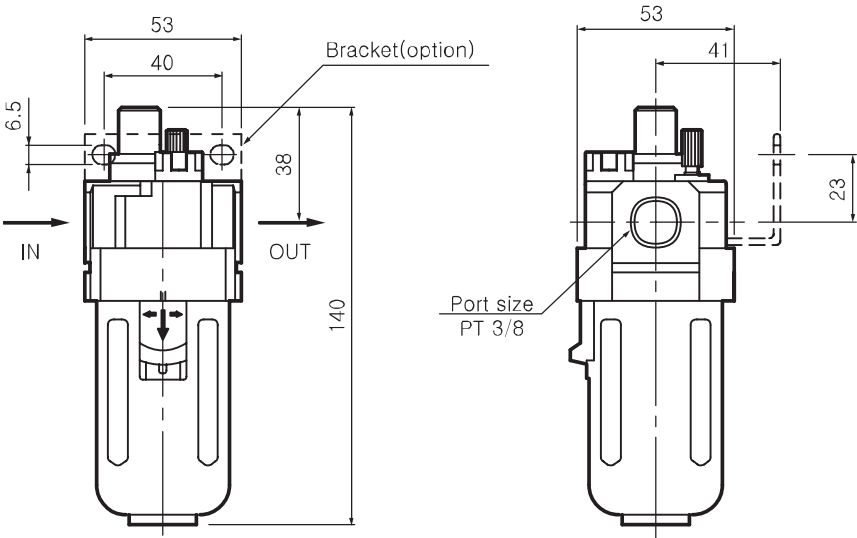
No.	PARTS	MATERIAL
1	Oil cap	PC
2	Throttle screw	Bs
3	Body	ALDC
4	Bowl	PC
5	Damper	NBR
6	Check valve	BALL
7	Cover	ALDC

● DIMENSIONS(mm)

**SAL 2000M**



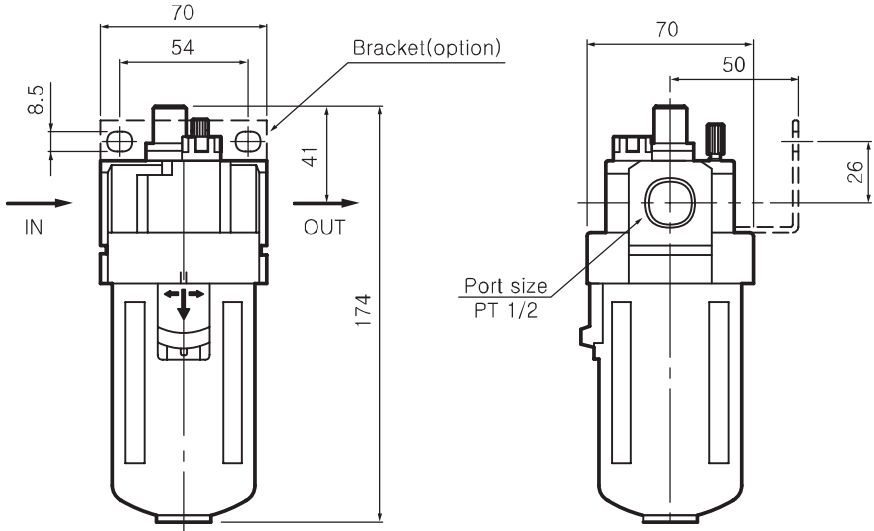
**SAL 3000M**



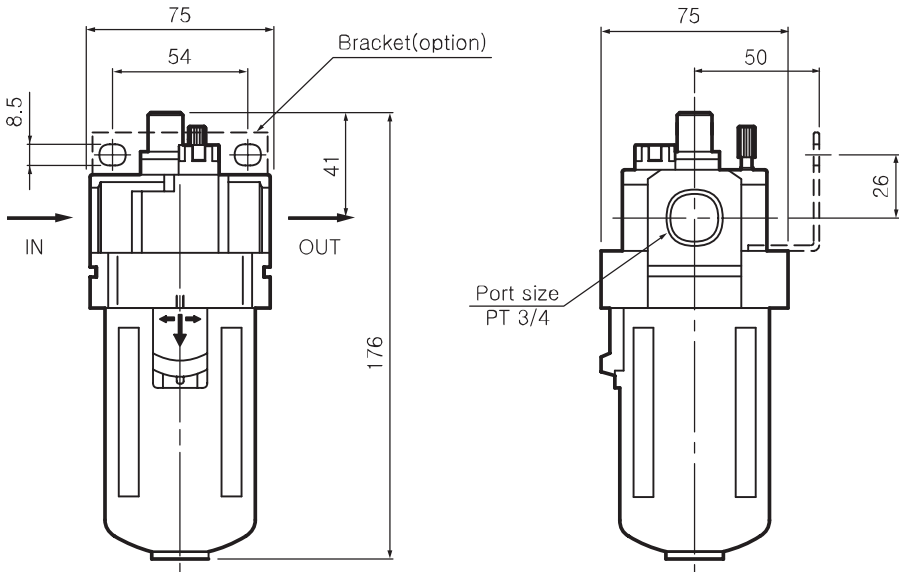
SAL

● DIMENSIONS(mm)

**SAL 4000M-04**



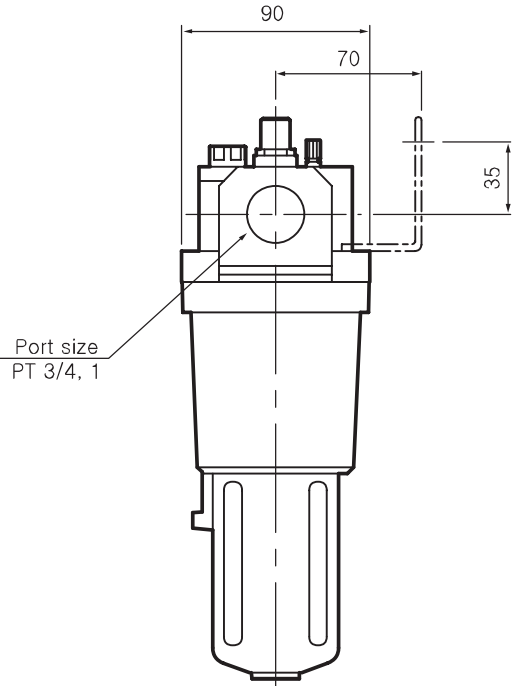
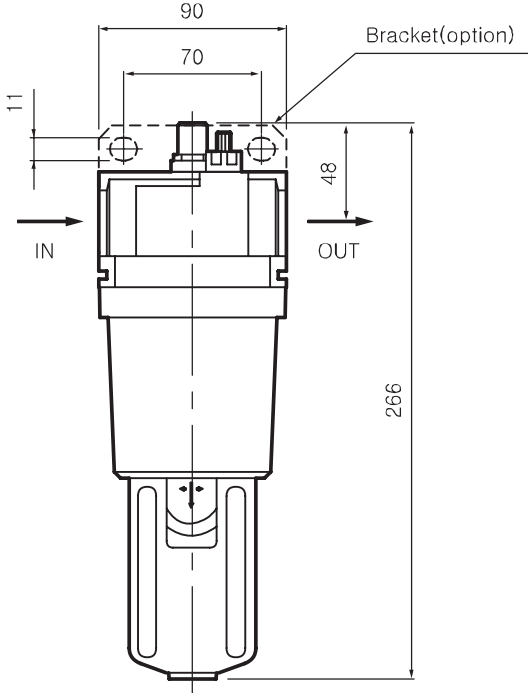
**SAL 4000M-06**



**SAL**

● DIMENSIONS(mm)

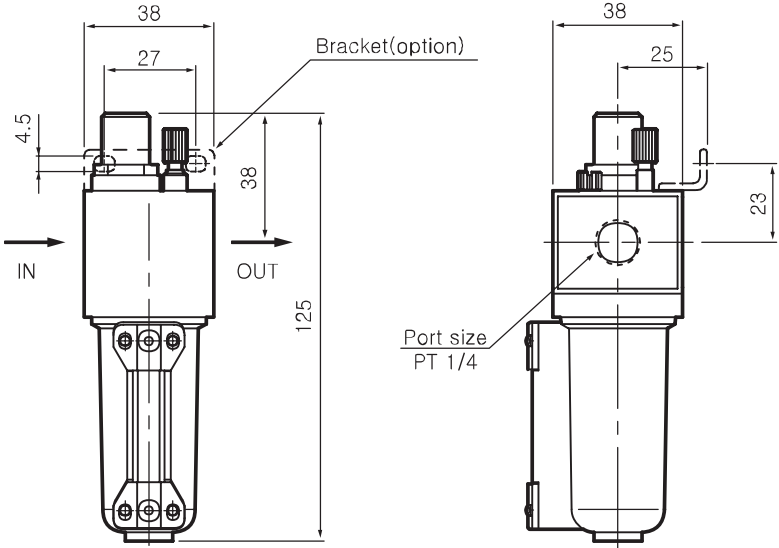
SAL6000M



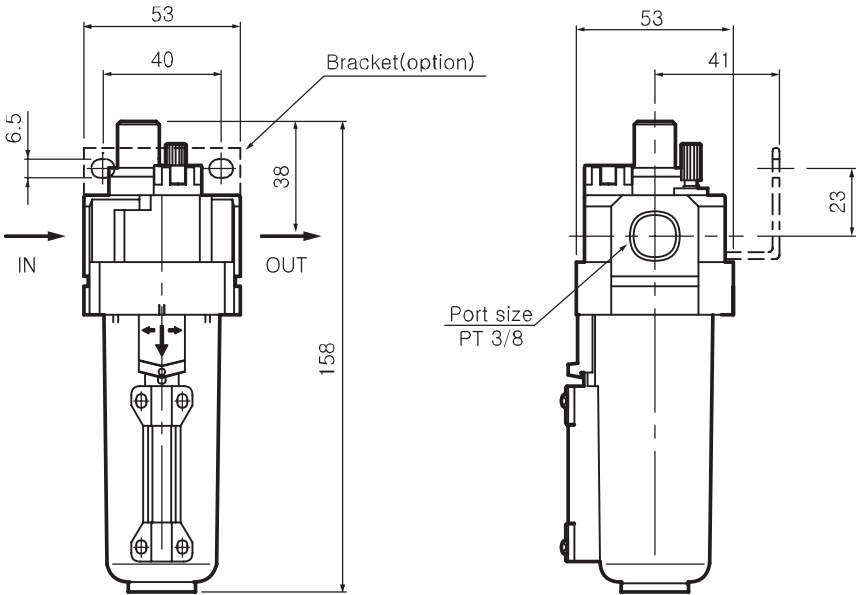
SAL

● DIMENSIONS(mm) – Metal Bowl

**SAL 2000M-Me**



**SAL 3000M-Me**

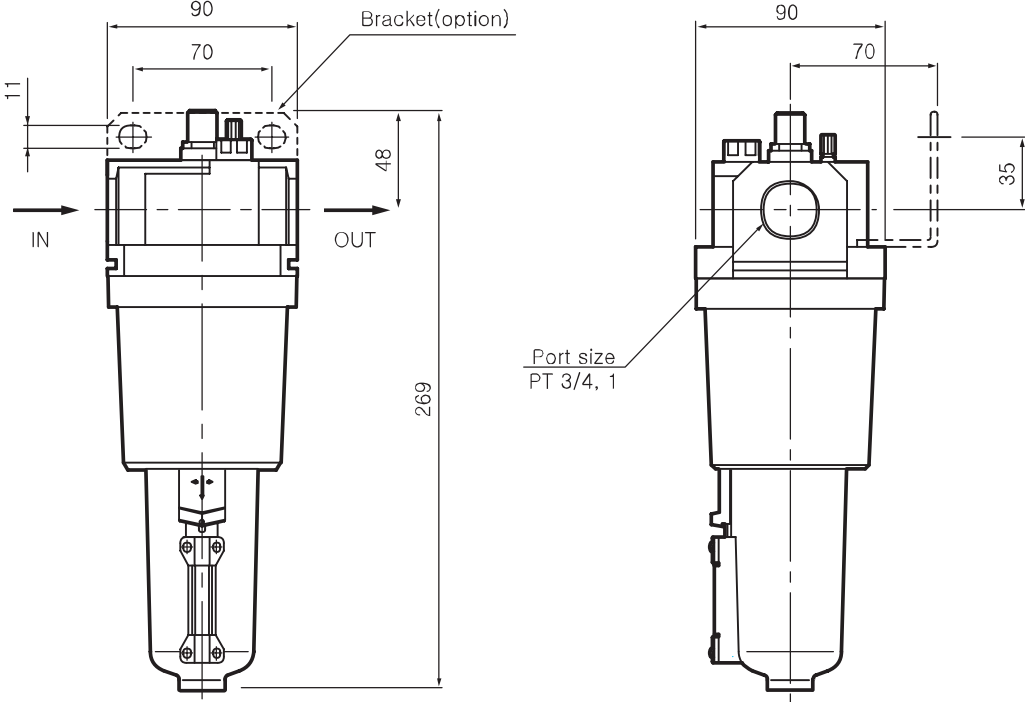


**SAL**



● DIMENSIONS(mm) – Metal Bowl

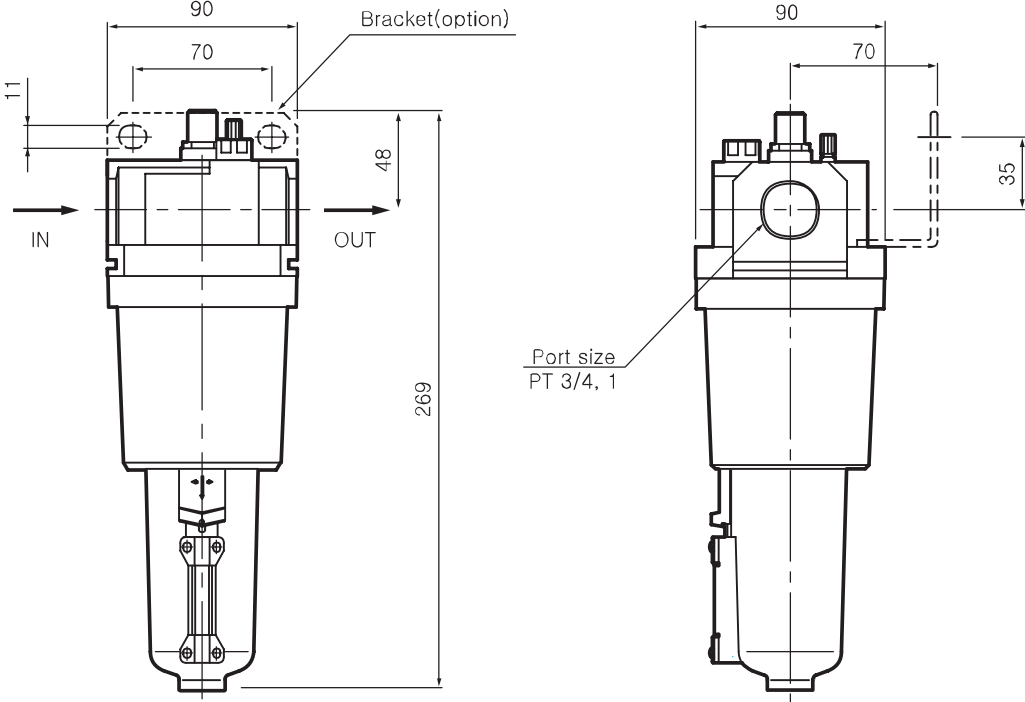
SAL 6000M-Me



SAL

● DIMENSIONS(mm) – Metal Bowl

SAL 6000M-Me



SAL