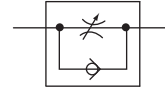


# Speed Controller (AS)

## SAS Series

- Compact size saves space.
- Speed may be accurately controlled even at low speeds.
- Constant speed easily set.
- Retainer prevents accidental loss of needle.



SAS

### How to order

SAS 2 000 - 01

① Speed Controller

② Body size

2 - 1/8, 1/4  
4 - 1/2

③ Port Size

	Body size	
	2	4
01 (Rc1/8)	●	
02 (Rc1/4)	●	●
03 (Rc3/8)		●
04 (Rc1/2)		●

### Specification

Fluid	Compressed Air	
Max. supply pressure	1.5MPa [15.3 kgf/cm <sup>2</sup> ]	
Max. operating pressure	0~0.97MPa [0~9.9 kgf/cm <sup>2</sup> ]	
Ambient temperature	5 ~ 60°C	
Number of needle rotation	8 turn	
Weight(g)	SAS 4000-02	235
	SAS 4000-03	214
	SAS 4000-04	204

### Precautions

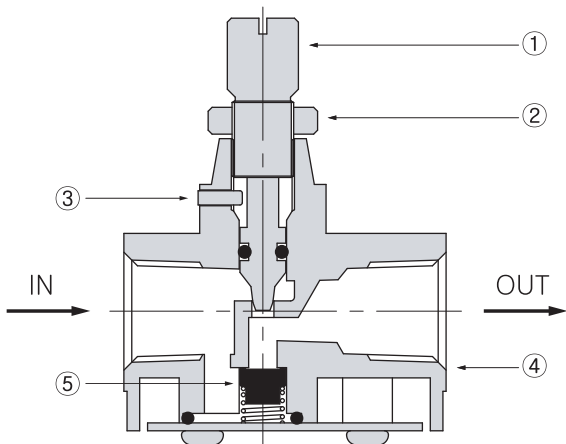
- ① This product cannot be used for applications in which the pressure must be sealed because there will be a slight leakage.

Model	Port size	Free flow	Controlled flow	Free flow	Controlled flow	Applicable cylinder bore size (mm)
		Air flow (l/min(ANR))	Effective area (mm <sup>2</sup> )	Air flow (l/min(ANR))	Effective area (mm <sup>2</sup> )	
SAS2000-01	1/8	340	5.2	250	3.8	20, 25, 32, 40
SAS2000-02	1/4	340	5.2	250	3.8	
SAS4000-02	1/4	1670	25.5	1670	25.5	40, 50, 63 80, 100
SAS4000-03	3/8	1670	25.5	1670	25.5	
SAS4000-04	1/2	1670	25.5	1670	25.5	

Note) Supply pressure: 0.5MPa, Temperature: 20°C.

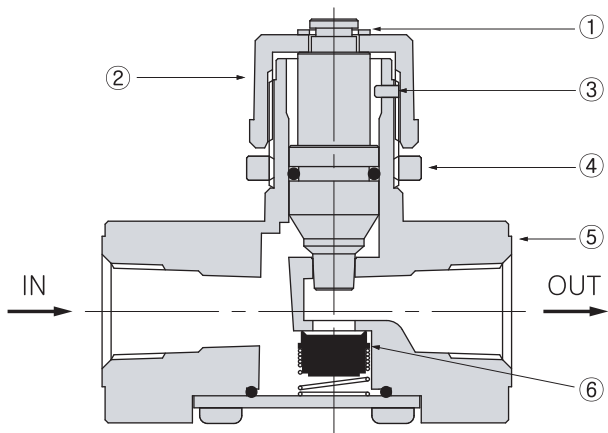
● STRUCTURE / PARTS

**SAS 2000**



No.	PARTS	MATERIAL
1	Handle	Bs
2	Handle nut	Bs
3	Stopper pin	Bs
4	Body	ALDC
5	Check valve	NBR

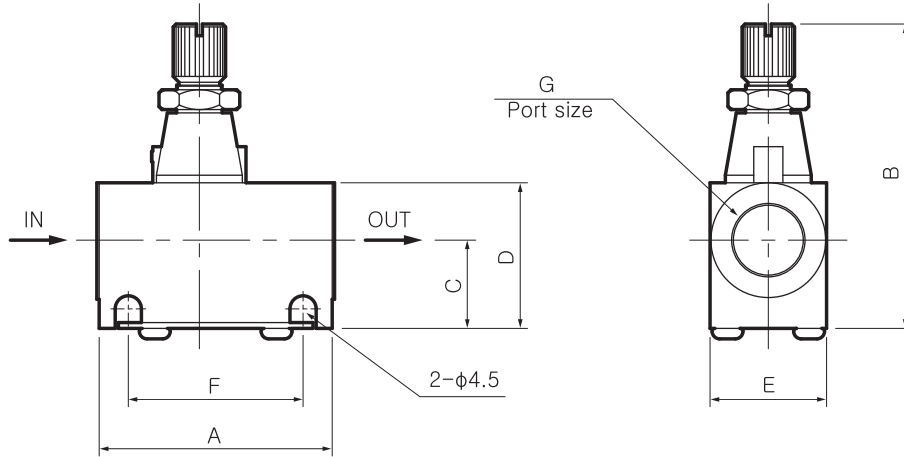
**SAS 4000**



No.	PARTS	MATERIAL
1	E-ring	
2	Handle	ALDC
3	Stopper pin	Bs
4	Handle nut	ALDC
5	Body	ALDC
6	Check valve	NBR

## DIMENSIONS (mm)

### SAS 2000



Model	A	B	C	D	E	F	G
SAS 2000-01	40	51	15	21.5	16	30	PT 1/8
SAS 2000-02	40	53	17	25	20	30	PT 1/4

### SAS 4000

