

Filter regulator(AW)



◆ SAW2000M~6000M Series

- SAW series are compact type assemblies of a filter and a regulator.

● How to order

SAW 30 00M- 03 BDG - Me

1 Filter regulator

2 Body Size

20 - 1/4
 30 - 3/8
 40 - 1/2
 60 - 1

3 Port Size

02 - Rc(PT) 1/4 "
 03 - Rc(PT) 3/8 "
 04 - Rc(PT) 1/2 "
 06 - Rc(PT) 3/4 "
 10 - Rc(PT) 1 "

4 Accessory(Optional)

Nil - Manual Drain
 B - Bracket
 D - Auto Drain
 G - Gauge

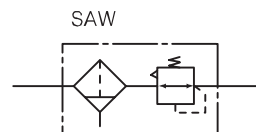
5 Option

Nil - PC Bowl
 Me - Metal Bowl



SAW6000M SAW4000M SAW3000M SAW2000M

● Symbol



● Specification

Max. supply pressure	1.5MPa [15.3 kgf/cm ²]
Max. operating pressure	0.97MPa [9.9 kgf/cm ²]
Regulating range	50~850kPa [0.5~8.7 kgf/cm ²]
Ambient and media temperature	5 ~ 60°C
Filtration	Standard:10μm, Option:2, 5, 20, 40
Bowl material	Poly-carbonate · Metal
Construction	Relief type

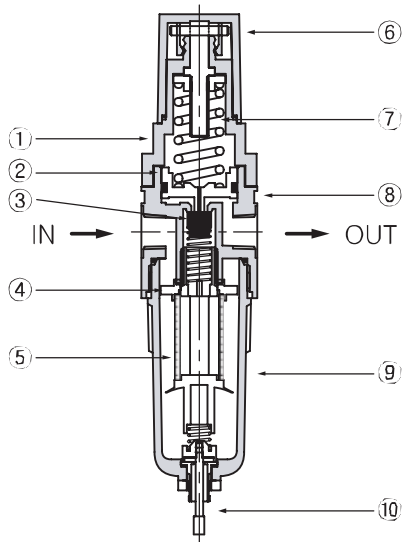
● Precautions

- ① Poly-carbonate bowls may be damaged and highly possible to fail if exposed to synthetic oils, thinner solvents, trichloroethylene, kerosene, chloroform, cyclohexane or other aromatic hydrocarbons and such environment exposed chemicals such as above.
- ② When auto drain is used :
 Drain piping should be both 4mm or greater in diameter and less than 1m in length.
 Also should avoid setting drain piping upwards.
- ③ When auto drain is out of order, it is possible to drain manually by operating one-touch-fitting vertically.
- ④ With a drain cock attached, drain can be done when the head of liquid is shown at the glass indication tube.

SAW

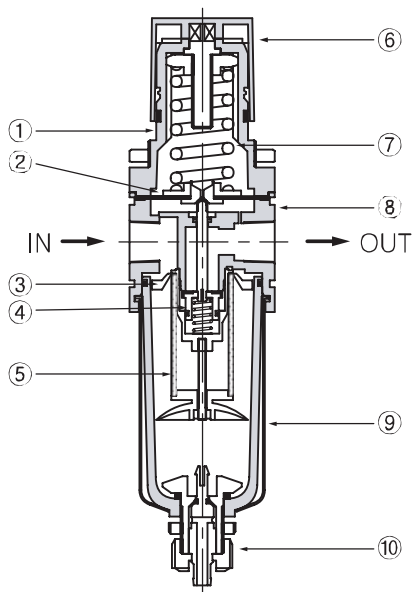
● STRUCTURE / PARTS

SAW 2000M



No.	PARTS	MATERIAL
1	Cover	N66G
2	Piston	N66G
3	Check valve	NBR
4	Buffer	ABS
5	Element	Porous plastics
6	Handle	N66G
7	Spring	SWP
8	Body	ZnDC
9	Bowl	PC
10	Drain part	

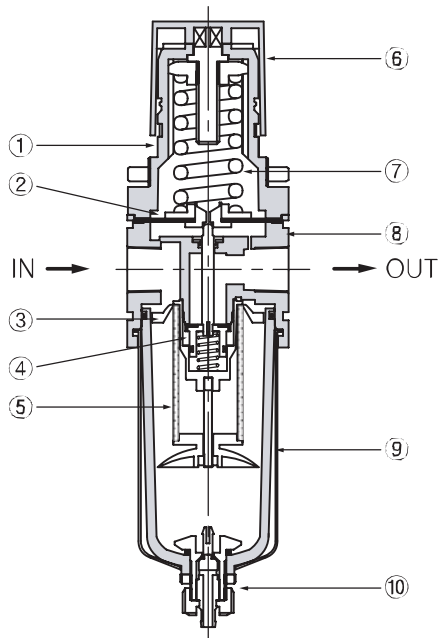
SAW 3000M



No.	PARTS	MATERIAL
1	Cover	N66G
2	Diaphragm	NBR
3	Buffer	ABS
4	Check valve	NBR
5	Element	Porous plastics
6	Handle	N66G
7	Spring	SWP
8	Body	ALDC
9	Bowl	PC
10	Drain part	

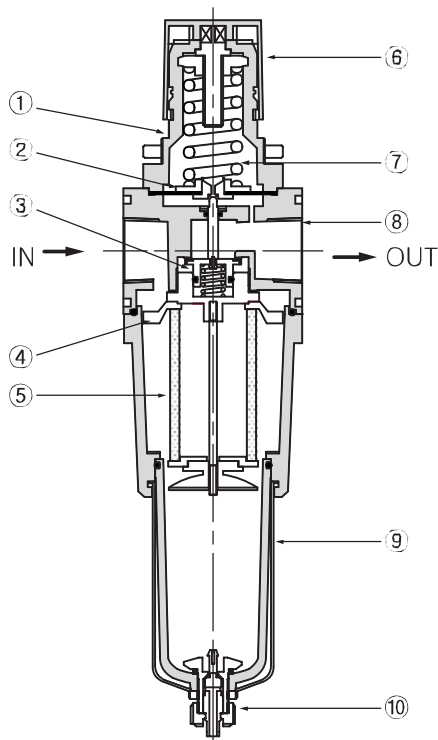
● STRUCTURE / PARTS

SAW 4000M



No.	PARTS	MATERIAL
1	Cover	ALDC
2	Diaphragm	NBR
3	Buffer	ABS
4	Check valve	NBR
5	Element	Porous plastics
6	Handle	N66G
7	Spring	SWP
8	Body	ALDC
9	Bowl	PC
10	Drain part	

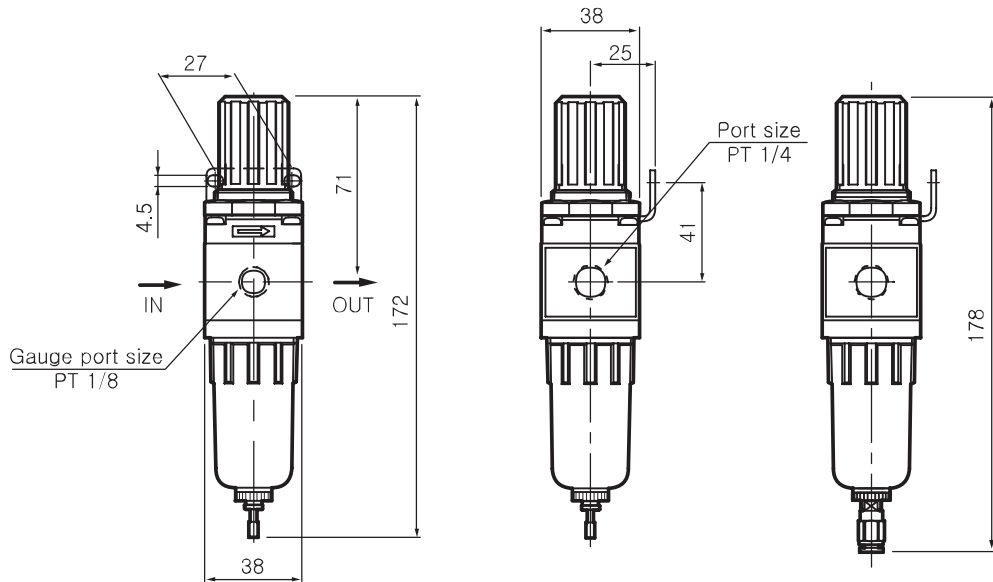
SAW 6000M



No.	PARTS	MATERIAL
1	Cover	ALDC
2	Diaphragm	NBR
3	Check valve	NBR
4	Buffer	ABS
5	Element	Porous plastics
6	Handle	N66G
7	Spring	SWP
8	Body	ALDC
9	Bowl	PC
10	Drain part	

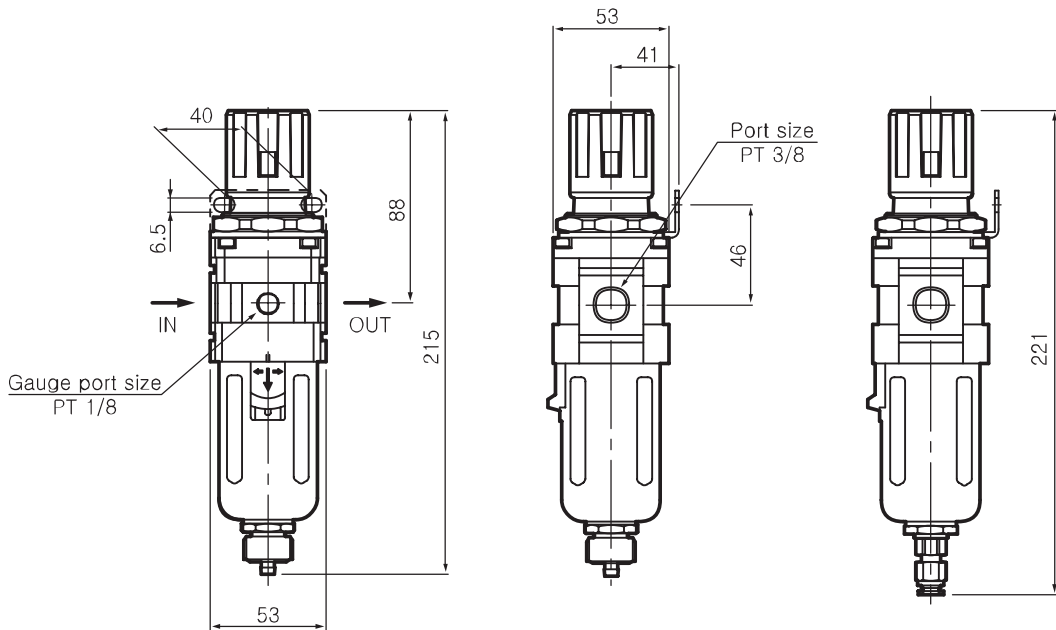
● DIMENSIONS(mm)

SAW 2000M



With differential pressure type auto drain

SAW 3000M

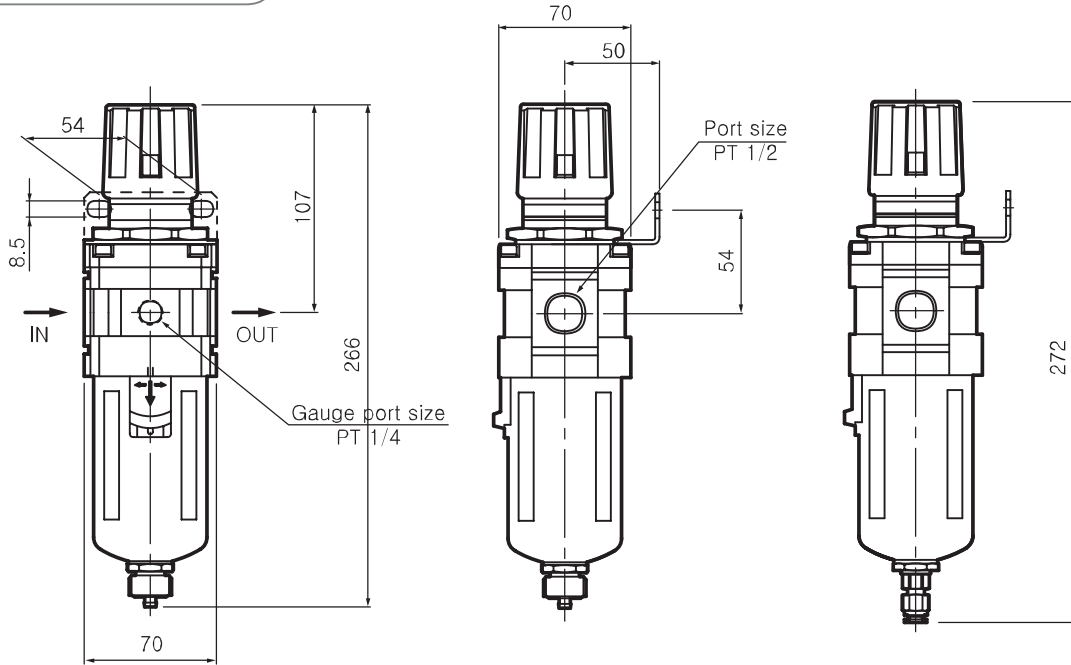


With float type auto drain

SAW

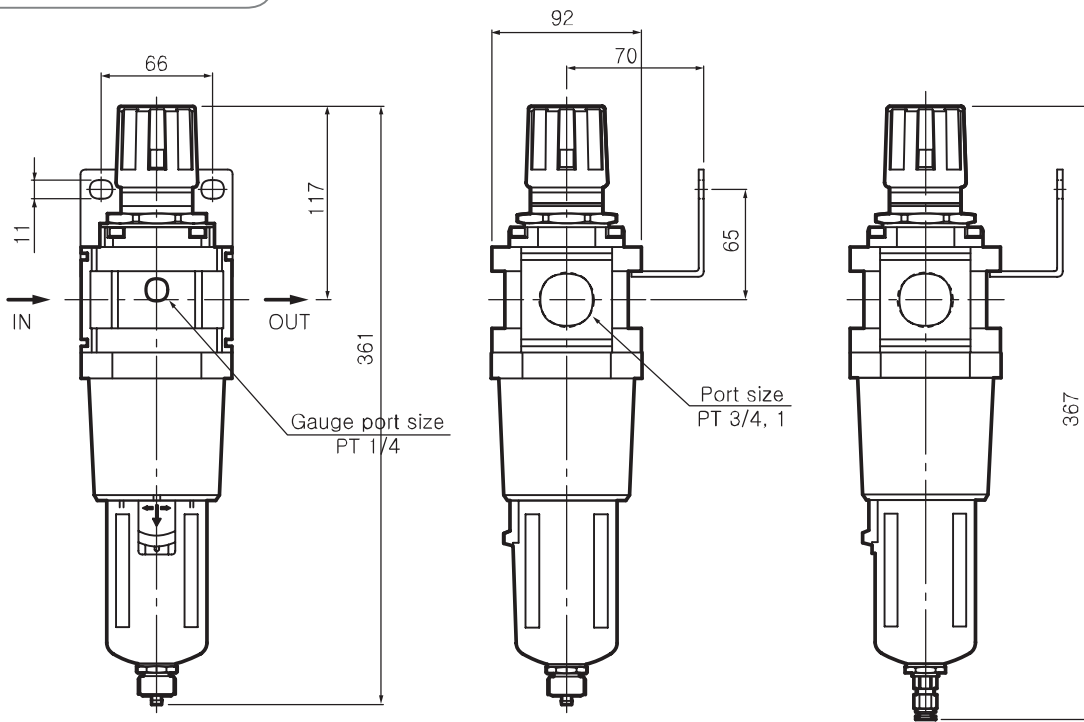
● DIMENSIONS(mm)

SAW 4000M-04



With float type auto drain

SAW 6000M

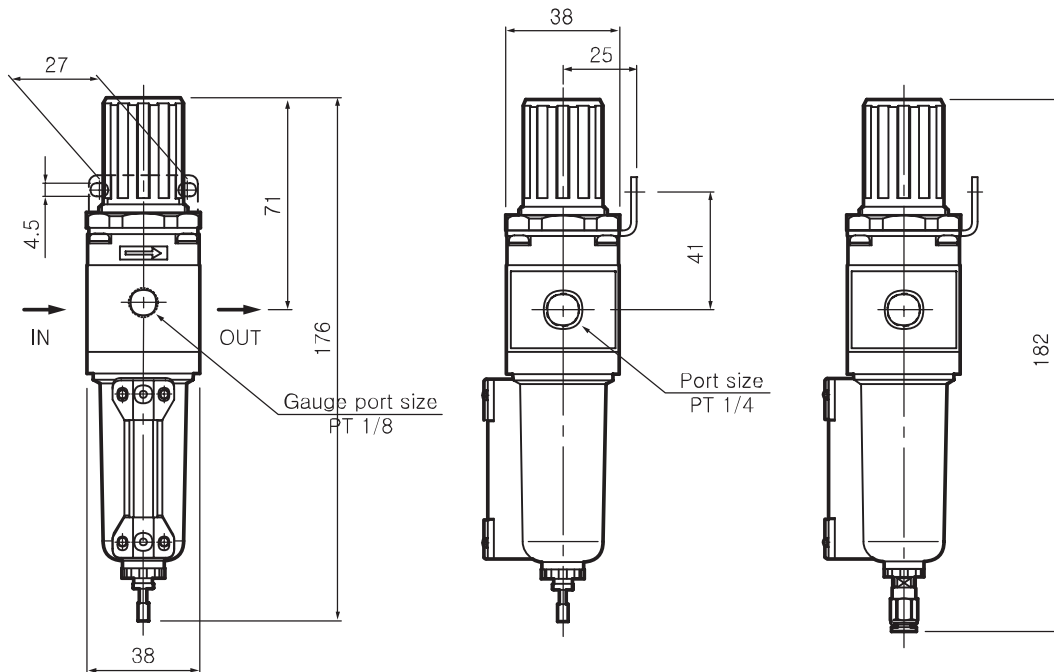


With float type auto drain

SAW

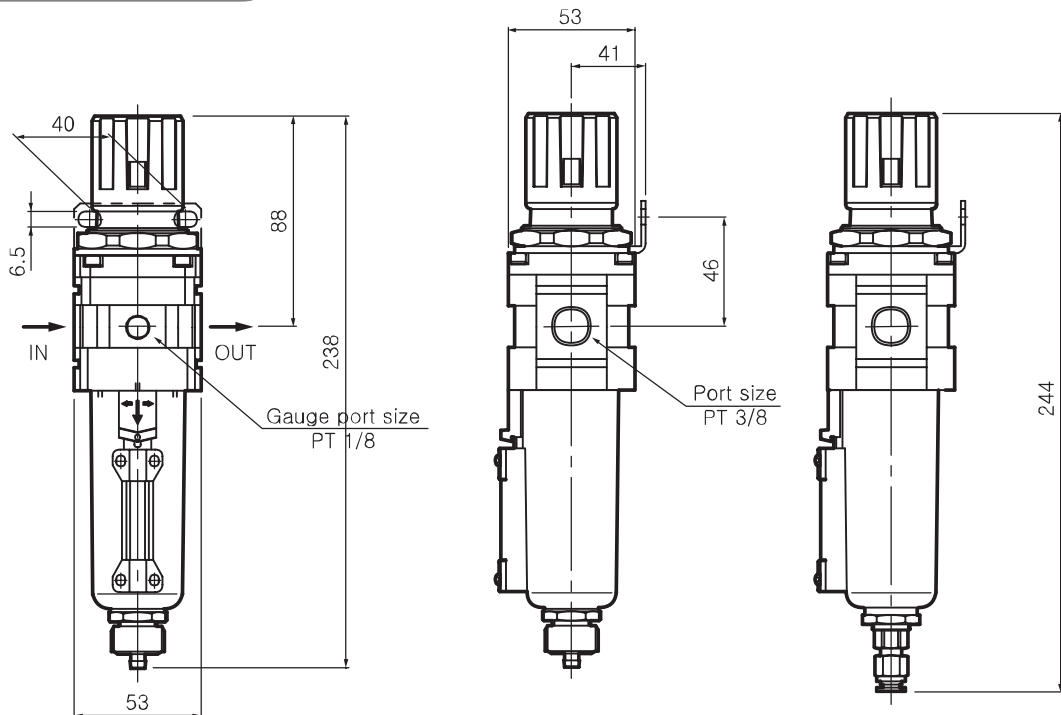
● DIMENSIONS(mm) – Metal Bowl

SAW 2000M-Me



With differential pressure type auto drain

SAW 3000M-Me



With float type auto drain

SAW