

# Quick Exhaust Valve (QE)



## SQE Series



SQE

### How to order

**SQE 3 000 - 03**

① Quick Exhaust

② Body size

2 - 1/4

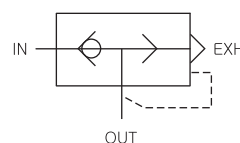
3 - 3/8

4 - 1/2

③ Port Size

	Body size		
	2	3	4
02 (Rc1/4)	●		
03 (Rc3/8)		●	
04 (Rc1/2)			●

### Symbol

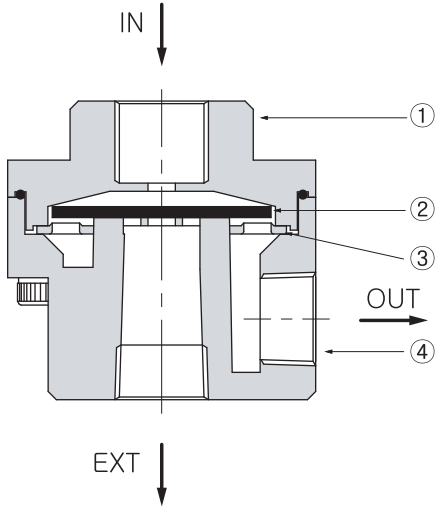


### Specification

Fluid	Compressed Air
Max. supply pressure	1.5MPa [15.3 kgf/cm <sup>2</sup> ]
Max. operating pressure	0.97MPa [9.9 kgf/cm <sup>2</sup> ]
Ambient and media temperature	5 ~ 60℃
Weight(g)	235

## ● STRUCTURE / PARTS

### SQE 4000



No.	PARTS	MATERIAL
1	Cover	ALDC
2	Diaphragm	NBR
3	Plate	STEEL
4	Body	ALDC

## ● DIMENSIONS (mm)

### SQE 4000

