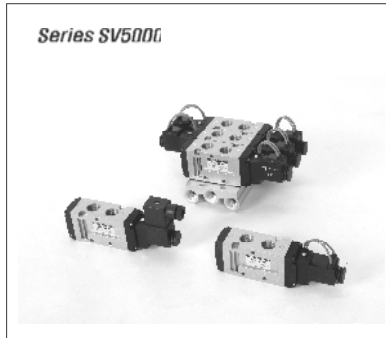
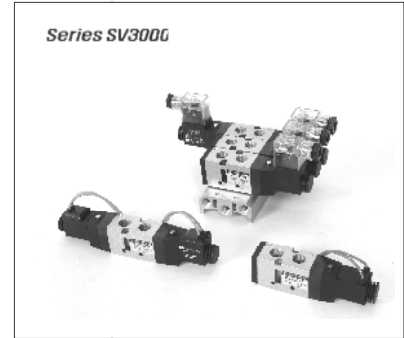


Solenoid Valve (SV)

SV

5 Port Pilot Operated Solenoid Valve

- Series SV1000 C2
- Series SV3000 C5
- Series SV5000 C9
- Series SV7000 C13



3 Port Pilot Operated Solenoid Valve

- Series SV231~232 C17



Solenoid Coil & Coil Connector

- Series Solenoid Coil C20
- Series Connector C21

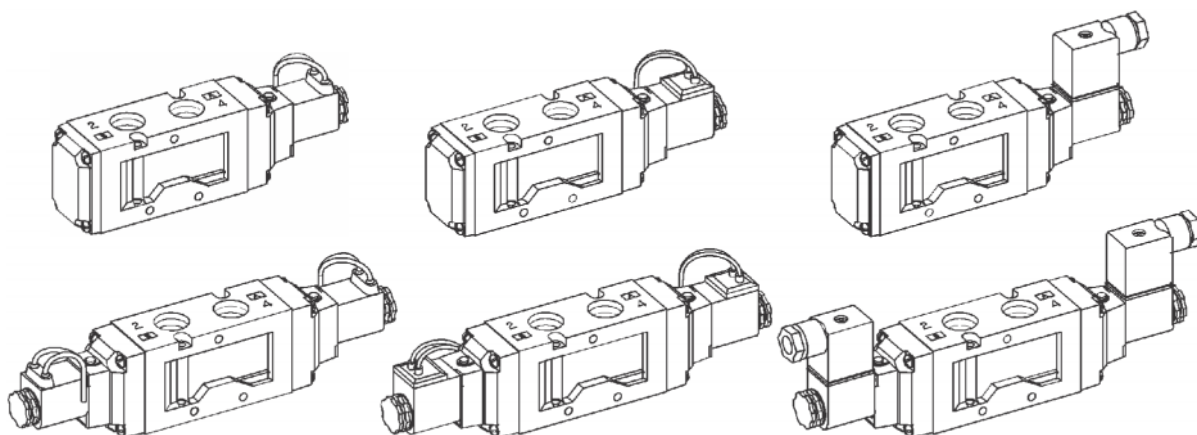


5Port Pilot Operated Solenoid Valve (SV)

SV6000 Series

- 36.0mm Body width
- Transition Flow 3500 l/min (5kg/f)

SV



How to order

SV6 1 30- 110V - GL - P - 04

① Solenoid valve

② **Function**

- 1 - 2 position single
- 2 - 2 position double

③ **Coil Rate Voltage**

- 220V - AC 220V
- 110V - AC 110V
- 24V - AC 24V
- D24V - DC 24V

④ **Coil type**

- Nil - without coil
- G - Flying Leads (Grommet)
- GL - Flying Leads with LED Lamp (Grommet)
- C - 3Pin Connector coil with connector
- CL - 3Pin Connector coil with LED Lamp connector

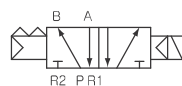
⑤ **Manual Operator**

- P - Push Button

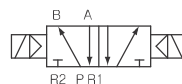
⑥ **Ports Size**

- 04 - Rc(PT) 1/2

Symbol



2 Position Single



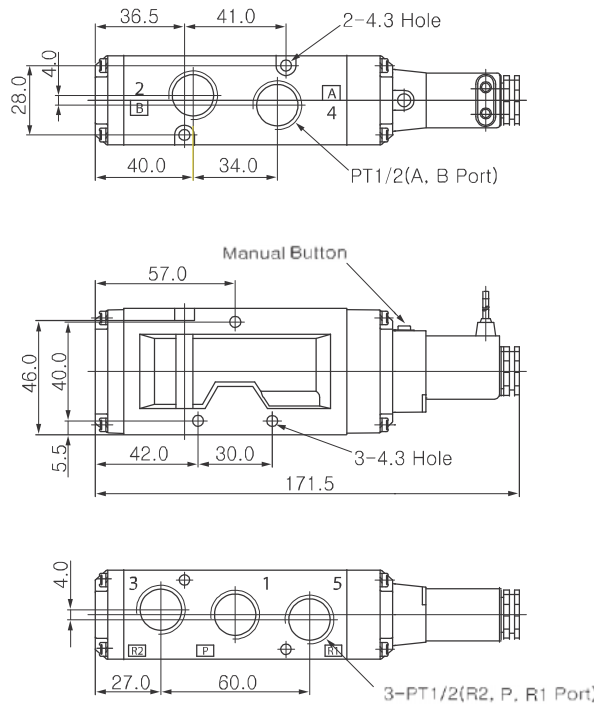
2 Position Double

Specification

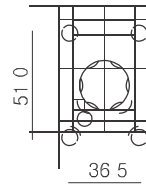
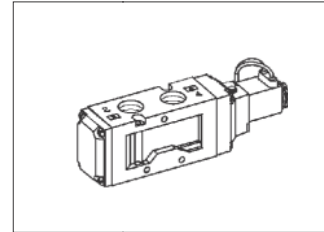
		Compressed Air
		15.99 kgf/cm ²
		10.99 kgf/cm ²
		65.0 mm ³
		5 60°C(41 140°F)
		Push Button
		30ms or less
		2c/sec
		AC: 4.9VA(60Hz) / DC: 2.5W
		F Class or Equivalent
		±10% of Rated Voltage
		Not required

DIMENSIONS (mm)

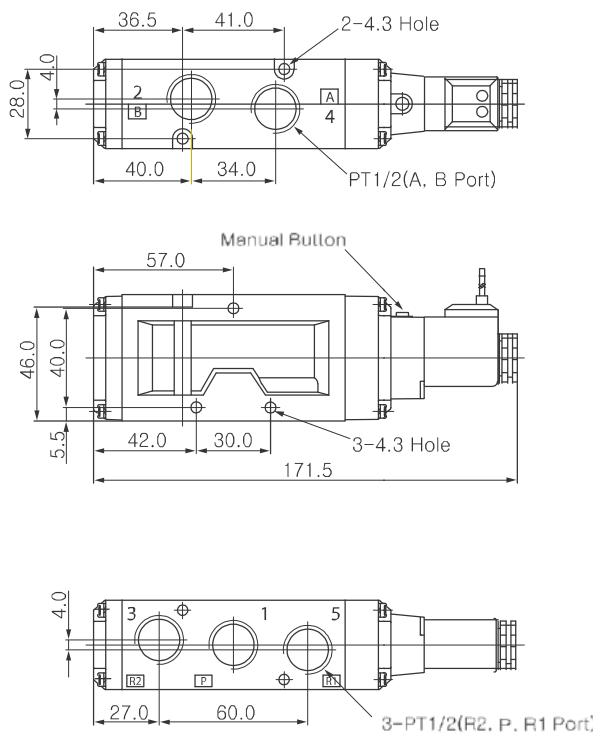
2position / 5port single (Grommet type)



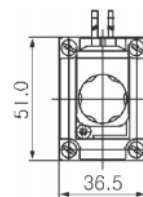
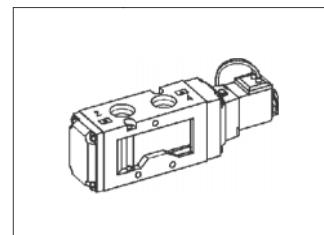
SV6130-□□□V-G...



2position / 5port single (Lamp type)

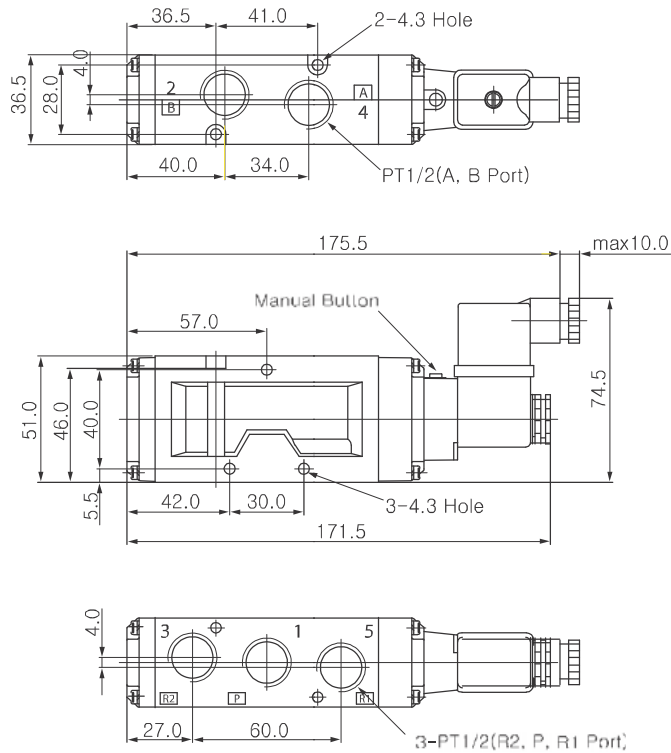


SV6130-□□□V-GL...

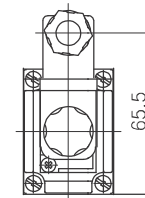
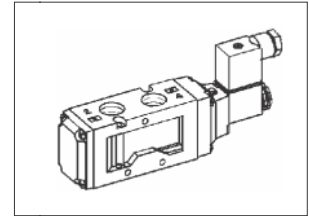


DIMENSIONS (mm)

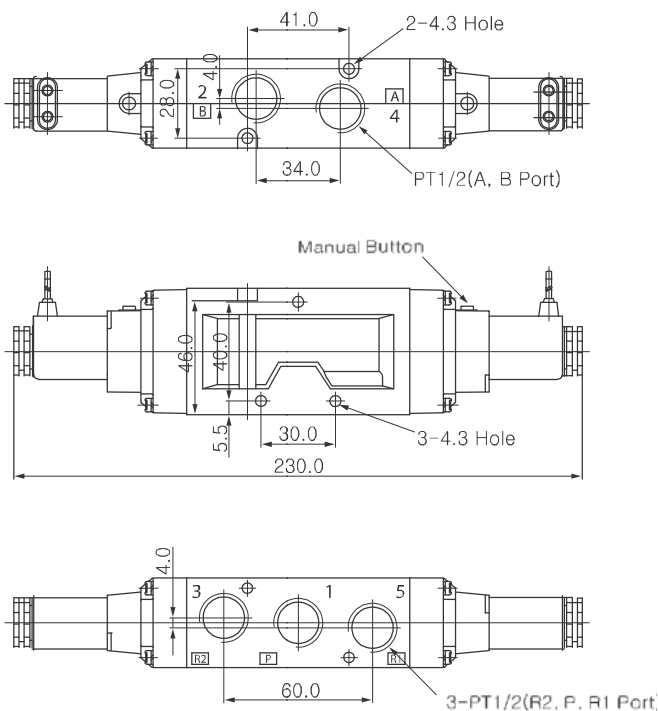
2position / 5port single (Connect type)



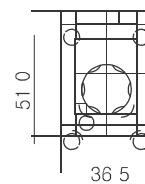
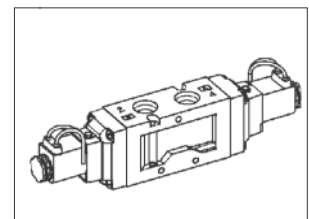
SV6130-□□□V-C□-...



2position / 5port double (Grommet type)



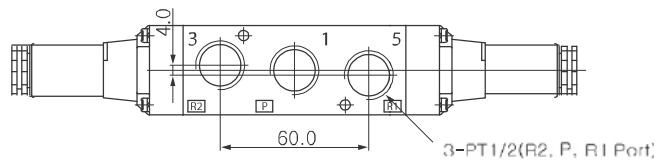
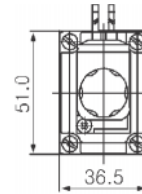
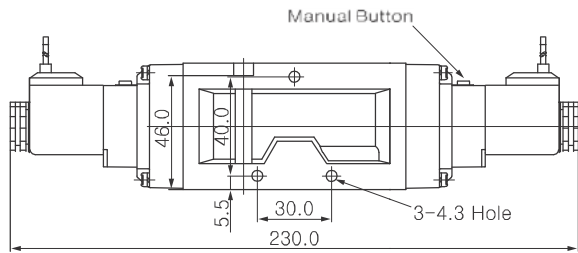
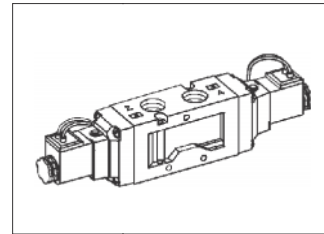
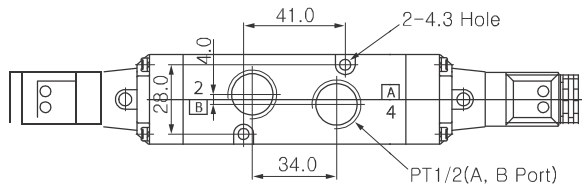
SV6230-□□□V-G□-...



DIMENSIONS (mm)

2position / 5port double (Lamp type)

SV6230-□□□V-GL-...



2position / 5port double (Connect type)

SV6230-□□□V-C□-...

