

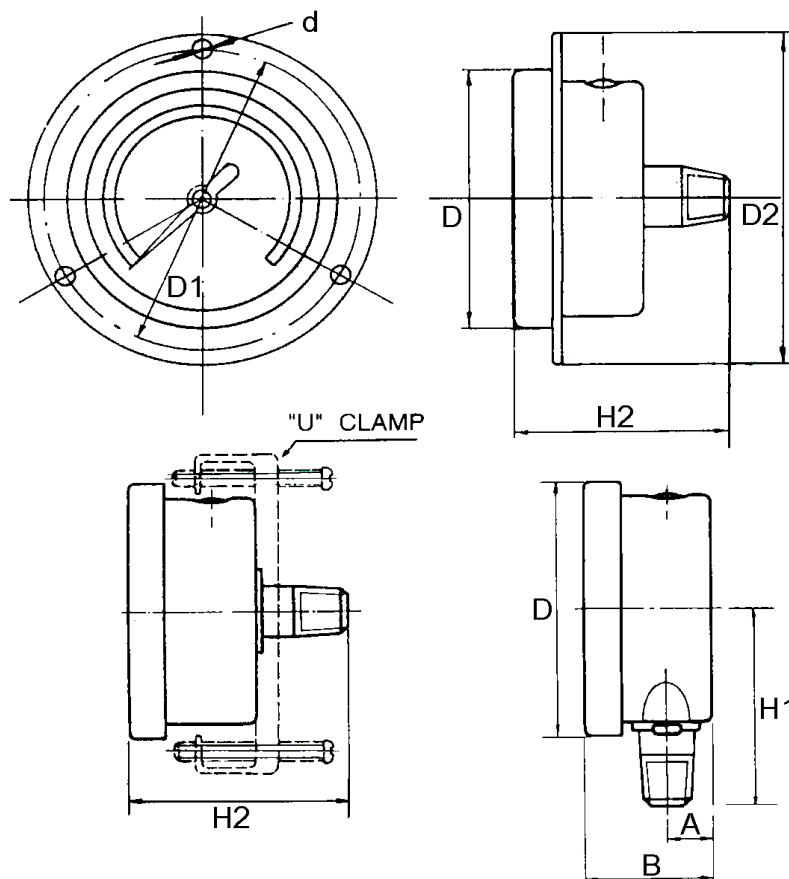
WEGA LIQUID FILLED PRESSURE GAUGE

Construction: Stainless steel case, stainless steel roll ring, polycarbonate windows, brass internal and connection, liquid filled

Application: For rugged applications and harsh environment conditions, especially where pulsation and vibration is a problem



center back connection



bottom connection

Dial Size	D	A	B	Connect	H	H2	D1	D2	d	Range (bar)
1.5"	46.8	8	24.7	1/8"	42.5	43.7	54	61	3.5	-1-0, -1-3, -1-9, 0-1, 0-4, 0-6,
2.5"	68	10	30	1/4"	54	54	76	83	3.5	0-10, 0-16, 0-25, 0-40, 0-60,
4"	109	11.5	35.5	1/2"	82.5	58.5	118	131	4.5	0-100, 0-160, 0-250, 0-400, 0-700